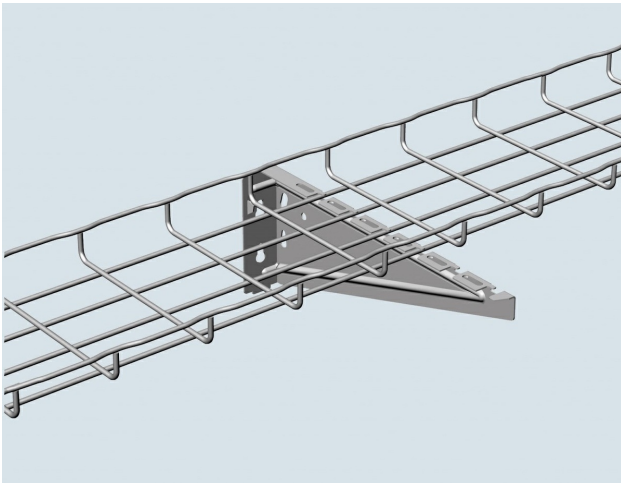




Cablofil  
FASUCB200WH FAS UNIVERSAL BRACKET 945373  
Part No. 945373



Cablofil Wiremesh Cable Tray concept based upon performance, safety and economy — three qualities which make Cablofil Wiremesh Cable Tray system preferred by installers. Cablofil adapts to the most complex configurations, and its structure gives maximum strength for minimum weight. The ease of creating fittings, carried out on site, as well as the wide range of unique and universal accessories gives complete freedom in routing combined with exceptionally fast installation.

## Features & Benefits

Use for tray support in under floor application in combination with EDF Rail. Use patented locking tabs on FAS U to secure tray without additional hardware. Supports wider tray and heavier loads than FAS L. FAS U snaps directly into EDF rail.

## Specifications

### General Info

|              |              |                   |                |
|--------------|--------------|-------------------|----------------|
| Product Line | Cablofil     | Finish            | Custom Painted |
| UPC Number   | 800388469273 | Country Of Origin | Italy          |

### Dimensions

|                   |             |                   |         |
|-------------------|-------------|-------------------|---------|
| Product Width US  | 1.772 in    | Product Weight US | 0.53 lb |
| Product Volume US | 0.028 cu ft | Product Depth US  | 9.08 in |
| Product Height US | 3.05 in     |                   |         |

### Buy American Act Compliance

|     |     |
|-----|-----|
| BAA | Yes |
|-----|-----|

### Additional Information

|                 |     |
|-----------------|-----|
| RoHS Conformant | Yes |
|-----------------|-----|