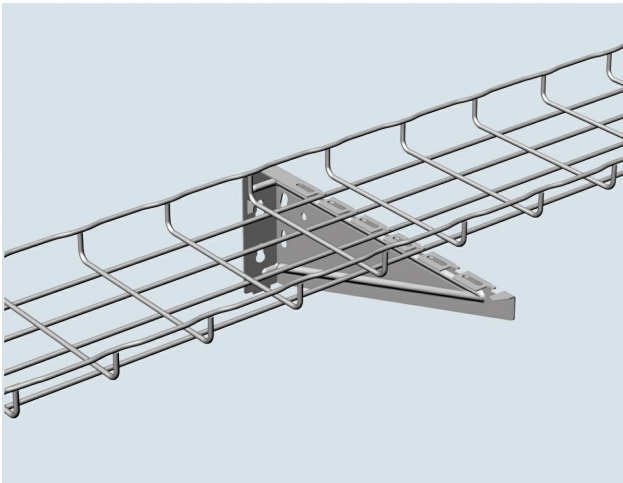




Cablofil  
FASUCB200PE FAS UNIVERSAL BRACKET 945374  
Part No. 945374



Cablofil Wiremesh Cable Tray concept based upon performance, safety and economy

## Features & Benefits

three qualities which make Cablofil Wiremesh Cable Tray system preferred by installers. Cablofil adapts to the most complex configurations, and its structure gives maximum strength for minimum weight. The ease of creating fittings, carried out on site, as well as the wide range of unique and universal accessories gives complete freedom in routing combined with exceptionally fast installation.

## Specifications

### General Info

Product Line	Cablofil	Finish	Custom Painted
UPC Number	800388006959	Country Of Origin	Italy

### Dimensions

Product Width US	1.772 in	Product Weight US	0.53 lb
Product Volume US	0.028 cu ft	Product Depth US	9.08 in
Product Height US	3.05 in		

### Buy American Act Compliance

BAA	Yes
-----	-----