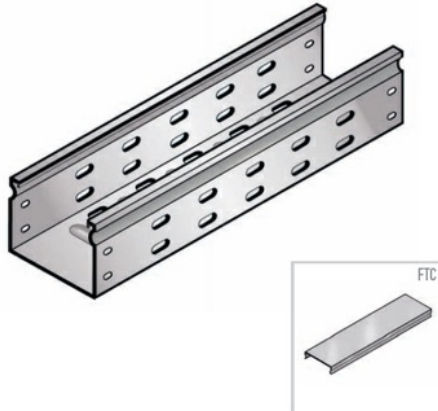




Cablofil
Ventilated Trough Straight(2H,2W, 120L) PAINTED
Part No. 960760



V-Trough cable tray keeps your cables protected and easy to manage. Its high-strength steel construction matches many European OEM specifications and is available in smaller sizes for control and instrumentation cabling. V-Trough is manufactured to exacting standards so that all components fit together perfectly, making installation a snap.

Features & Benefits

Ventilated design: reduces cable heating, mold and moisture buildup.

Rolled top edge: for cable and installer protection.

18 gage steel.

Strong corrosion resistant steel construction.

Unique design: allows for cable and installer protection.

Compatible cover: FTC sold separately.

Specifications

General Info

Product Line	Cablofil	Finish	Custom Painted
Country Of Origin	Italy		

Dimensions

Product Weight US	4.802 lb
-------------------	----------

Buy American Act Compliance

BAA	Yes
-----	-----