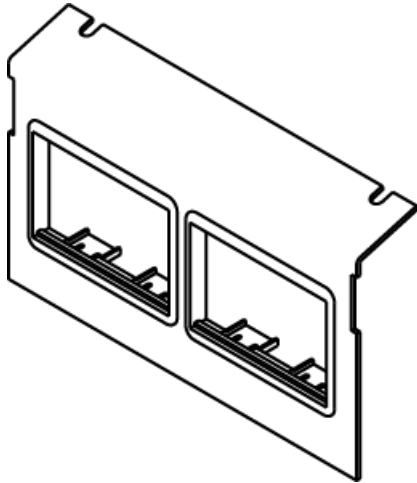




Wiremold  
AC Series Communication Plate  
Part No. C8004P-2ACT



For AC8840 and AC8104 Boxes. Includes two (2) Wiremold CM Series Open System adapters. NOTE: AC8840 is a single-service box. Power plates cannot be used in conjunction with communication plates.

## Features & Benefits

For AC8840 and AC8104 Boxes. Includes two (2) Wiremold CM Series Open System adapters. NOTE: AC8840 is a single-service box. Power plates cannot be used in conjunction with communication plates.

## Specifications

### General Info

Product Line	Wiremold	UPC Number	786564116417
Country Of Origin	United States	Construction	Assembled
Application Sector	Commercial	Standard	UL Listed Classified Raised Floor Box: File E2961 Guide QCIT, UL Listed Classified Raised Floor Box (prewired): File E51105 Guide QQVX, Meets Article 314 of NEC. Meets Article 12 2500 of CEC.
Type	Floor Box		

### Listing Agencies / 3rd Party Agencies

cULus ListingNumber	E2961	cULus Listed	Yes
---------------------	-------	--------------	-----

### Buy American Act Compliance

NAFTA	Yes
-------	-----

### Additional Information

---

RoHS Conformant

Yes

---

### Technical Information

---

Cable Entry

Through Floor

---