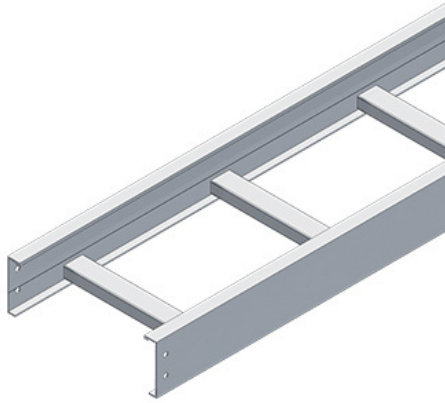




**Cablofil**  
**5" Stainless Steel Straight Sections**  
Part No. P019521



Choose from an extensive selection of metallic ladder tray with a variety of rung and bottom styles to choose from. Finishes include steel, 304L and 316L stainless steel to meet the needs of any application. Rail heights range from 4" to 7" and width sizes are available up to 36".

## Features & Benefits

Unitized welded construction

## Specifications

### General Info

Product Line	Cablofil	Finish	S4
UPC Number	800388486676	Country Of Origin	Mexico

### Dimensions

Product Width US	33.5 in	Product Weight US	85.751 lb
Product Volume US	13.958 cu ft	Product Depth US	144.0 in
Product Height US	5.0 in		

### Buy American Act Compliance

BAA	Yes
-----	-----