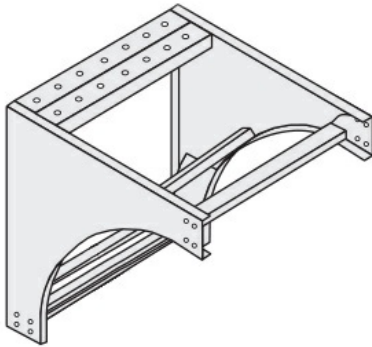




Cablofil
Vertical Support Elbow
Part No. P035519



Choose from an extensive selection of metallic ladder tray with a variety of rung and bottom styles to choose from. Finishes include steel, 304L and 316L stainless steel to meet the needs of any application. Rail heights range from 4" to 7" and width sizes are available up to 36".

Features & Benefits

Splices included

Specifications

General Info

| | | | |
|--------------|--------------|-------------------|--------|
| Product Line | Cablofil | Finish | GC |
| UPC Number | 800388390560 | Country Of Origin | Mexico |

Dimensions

| | | | |
|-------------------|-------------|-------------------|----------|
| Product Width US | 18.0 in | Product Weight US | 26.72 lb |
| Product Volume US | 5.042 cu ft | Product Depth US | 22.0 in |
| Product Height US | 22.0 in | | |

Buy American Act Compliance

| | |
|-----|-----|
| BAA | Yes |
|-----|-----|
