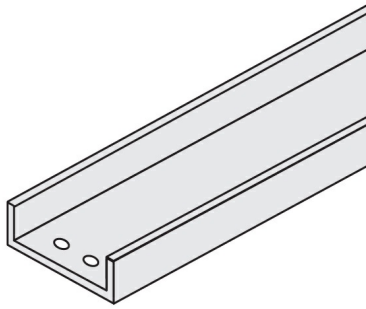




Cablofil
1509-0012-04 HDGAF Steel Channel, 12'L
Part No. P081084



Aluminum cable channel is perfect for industrial installations with limited cables. Ribbed Splices are stronger and allow for longer spans. Optional snap in hardware speeds up installation.

Features & Benefits

Strong and easy to install aluminum construction

Specifications

General Info

Product Line	Cablofil	Finish	GC
UPC Number	800388513440	Country Of Origin	Mexico

Dimensions

Product Width US	4.0 in	Product Weight US	18.263 lb
Product Volume US	0.583 cu ft	Product Depth US	144.0 in
Product Height US	1.75 in		

Buy American Act Compliance

BAA	Yes
-----	-----