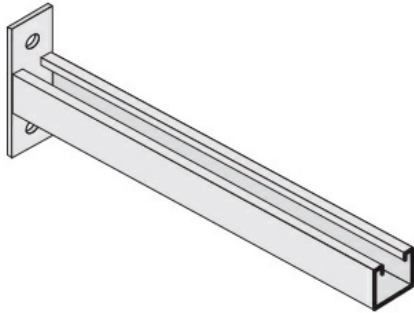




Cablofil
Single Strut Bracket
Part No. P081507



The aluminum I-beam design of ITray is perfect for industrial installations with large diameter cables in long span situations, minimizing total tray width and creating a smooth transition between straight sections and fittings. A structural offset in the sidewall creates strong, mid-span splices that need fewer supports. Each splice snaps in place and stays without holding. Additionally, only four bolts are needed for each splice reducing hardware needs by 50%. These features allow Itray to be installed up to 30% faster than standard tray.

Features & Benefits

Strong heavy gage steel construction

Specifications

General Info

Product Line	Cablofil	Finish	GC
UPC Number	800388395718	Country Of Origin	Mexico

Dimensions

Product Width US	2.0 in	Product Weight US	2.84 lb
Product Volume US	0.071 cu ft	Product Depth US	13.0 in
Product Height US	4.75 in		

Buy American Act Compliance

BAA	Yes
-----	-----