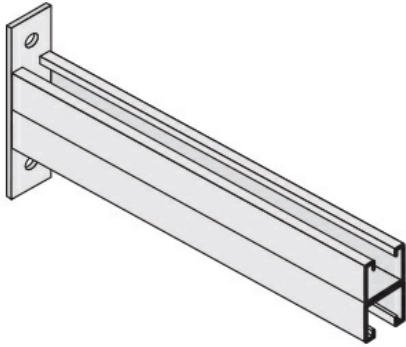




**Cablofil**  
**Double Strut Bracket**  
Part No. P081519



The aluminum I-beam design of ITray is perfect for industrial installations with large diameter cables in long span situations, minimizing total tray width and creating a smooth transition between straight sections and fittings. A structural offset in the sidewall creates strong, mid-span splices that need fewer supports. Each splice snaps in place and stays without holding. Additionally, only four bolts are needed for each splice reducing hardware needs by 50%. These features allow Itray to be installed up to 30% faster than standard tray.

## Features & Benefits

Strong heavy gage steel construction

## Specifications

### General Info

Product Line	Cablofil	Finish	GC
UPC Number	800388395831	Country Of Origin	Mexico

### Dimensions

Product Width US	2.0 in	Product Weight US	11.204 lb
Product Volume US	0.215 cu ft	Product Depth US	31.0 in
Product Height US	6.0 in		

### Buy American Act Compliance

BAA	Yes
-----	-----