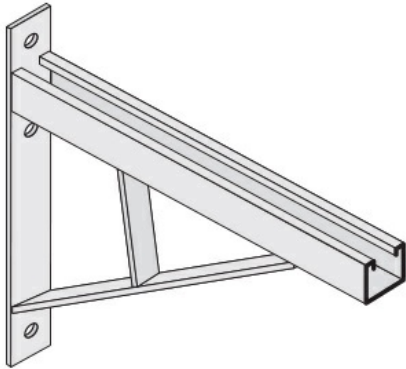




Cablofil
Heavy Duty Strut Bracket
Part No. P081575



The aluminum I-beam design of ITray is perfect for industrial installations with large diameter cables in long span situations, minimizing total tray width and creating a smooth transition between straight sections and fittings. A structural offset in the sidewall creates strong, mid-span splices that need fewer supports. Each splice snaps in place and stays without holding. Additionally, only four bolts are needed for each splice reducing hardware needs by 50%. These features allow Itray to be installed up to 30% faster than standard tray.

Features & Benefits

Strong heavy gage steel construction

Specifications

General Info

Product Line	Cablofil	Finish	Hot Dipped Galvanized
UPC Number	800388396395	Country Of Origin	Mexico

Dimensions

Product Width US	2.0 in	Product Weight US	21.73 lb
Product Volume US	1.815 cu ft	Product Depth US	49.0 in
Product Height US	32.0 in		

Buy American Act Compliance

BAA	Yes
-----	-----