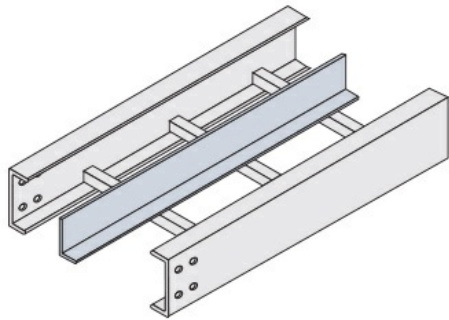




Cablofil
4A-0012-99-S6 Straight Divider Strip 12'L w/316 SS Hardware (TRA)
Part No. P081939

null



Features & Benefits

Straight strips are for use with all straight tray

Specifications

General Info

| | | | |
|--------------------|-----------------------|-------------------|---------------|
| Product Line | Cablofil | Finish | AL |
| UPC Number | 800388045941 | Country Of Origin | Mexico |
| Application Sector | Commercial/Industrial | Standard | UL Classified |
| Type | Cable Tray | | |

Dimensions

| | | | |
|-------------------|-------------|-------------------|----------|
| Product Width US | 0.875 in | Product Weight US | 4.508 lb |
| Product Volume US | 0.201 cu ft | Product Depth US | 144.0 in |
| Product Height US | 2.75 in | | |

Buy American Act Compliance

| | |
|-----|-----|
| BAA | Yes |
|-----|-----|