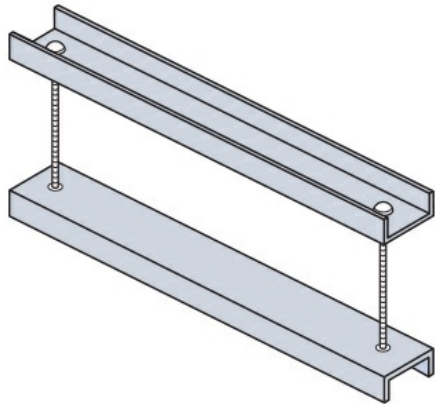




Cablofil
Flat Cover Connectors Channel-Style
Part No. P086136



The aluminum I-beam design of ITray is perfect for industrial installations with large diameter cables in long span situations, minimizing total tray width and creating a smooth transition between straight sections and fittings. A structural offset in the sidewall creates strong, mid-span splices that need fewer supports. Each splice snaps in place and stays without holding. Additionally, only four bolts are needed for each splice reducing hardware needs by 50%. These features allow Itray to be installed up to 30% faster than standard tray.

Features & Benefits

For use with indoor, outdoor, or vertical flat covers.

Top and bottom pieces are 1 1/2" wide.

Specifications

General Info

| | | | |
|--------------|--------------|-------------------|----------------|
| Product Line | Cablofil | Finish | Pre-Galvanized |
| UPC Number | 800388517363 | Country Of Origin | Mexico |

Dimensions

| | | | |
|-------------------|-------------|-------------------|----------|
| Product Width US | 25.625 in | Product Weight US | 3.458 lb |
| Product Volume US | 0.047 cu ft | Product Depth US | 1.5 in |
| Product Height US | 2.11 in | | |