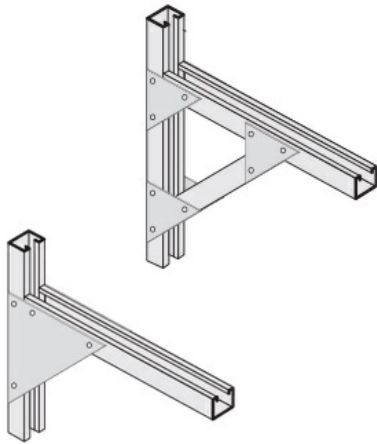




Cablofil  
Support Brackets  
Part No. P086458



For extremely corrosive applications we offer a full line of straight sections, fittings, covers and mounting accessories in polyester and vinylester fiberglass. Rail heights are available in 4" and 6" and widths are available up to 36".

## Features & Benefits

---

Heavy gage steel construction

## Specifications

---

### General Info

---

Product Line	Cablofil	Finish	Other
--------------	----------	--------	-------

---

### Dimensions

---

Product Weight US	1.883 lb
-------------------	----------

---