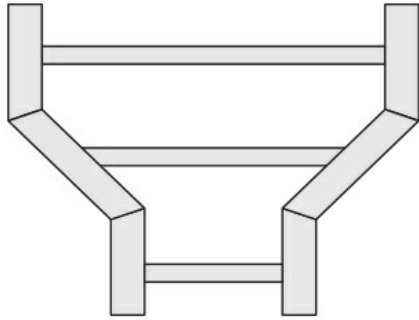




Cablofil  
SC-4G1I-0112-06 STR Red 12"W to 06"W  
Part No. P170791



The aluminum I-beam design of ITray is perfect for industrial installations with large diameter cables in long span situations, minimizing total tray width and creating a smooth transition between straight sections and fittings. A structural offset in the sidewall creates strong, mid-span splices that need fewer supports. Each splice snaps in place and stays without holding. Additionally, only four bolts are needed for each splice reducing hardware needs by 50%. These features allow Itray to be installed up to 30% faster than standard tray.

## Features & Benefits

Material: Aluminum Alloy 6063

Finish: Plain

Bottom: LD: 1" wide rungSB: Flat sheet over RungSC: Solid CorrugatedVC: Vented Corrugated

Construction: Welded

Connectors: All fittings are supplied with necessary connectors and fasteners

Fitting heights (H): 4, 5, 6, 7

## Specifications

### General Info

Product Line	Cablofil	Finish	GC
UPC Number	800388283312	Country Of Origin	United States

### Dimensions

Product Width US	12.0 in	Product Weight US	5.161 lb
Product Volume US	0.333 cu ft	Product Depth US	12.0 in
Product Height US	4.0 in		

### Buy American Act Compliance

BAA	Yes
-----	-----