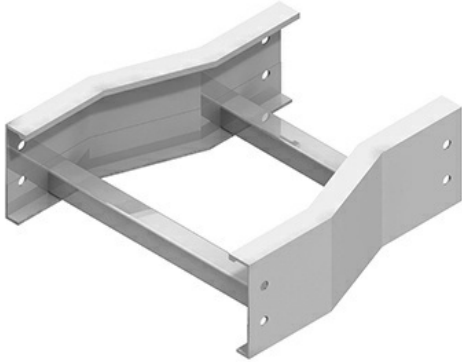




Cablofil
SC-5G1I-0118-12 STR Red 18"W to 12"W
Part No. P171397



The aluminum I-beam design of ITray is perfect for industrial installations with large diameter cables in long span situations, minimizing total tray width and creating a smooth transition between straight sections and fittings. A structural offset in the sidewall creates strong, mid-span splices that need fewer supports. Each splice snaps in place and stays without holding. Additionally, only four bolts are needed for each splice reducing hardware needs by 50%. These features allow Itray to be installed up to 30% faster than standard tray.

Features & Benefits

Material: Aluminum Alloy 6063

Finish: Plain

Bottom: LD: 1" wide rungSB: Flat sheet over RungSC: Solid CorrugatedVC: Vented Corrugated

Construction: Welded

Connectors: All fittings are supplied with necessary connectors and fasteners

Fitting heights (H): 4, 5, 6, 7

Specifications

General Info

Product Line	Cablofil	Finish	GC
UPC Number	800388284296	Country Of Origin	United States

Dimensions

Product Width US	18.0 in	Product Weight US	7.425 lb
Product Volume US	0.625 cu ft	Product Depth US	12.0 in
Product Height US	5.0 in		

Buy American Act Compliance

BAA	Yes
-----	-----