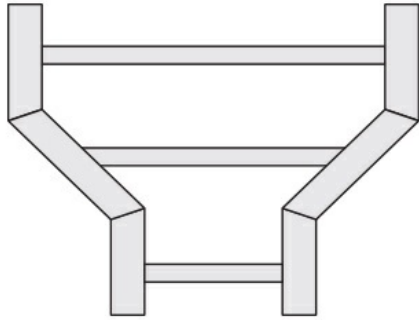




**Cablofil**  
**Horizontal Reducing Cross**  
Part No. P308525



Choose from an extensive selection of metallic ladder tray with a variety of rung and bottom styles to choose from. Finishes include steel, 304L and 316L stainless steel to meet the needs of any application. Rail heights range from 4" to 7" and width sizes are available up to 36".

## Features & Benefits

Includes splices and hardware

## Specifications

### General Info

Product Line	Cablofil	Finish	AL
UPC Number	800388143975	Country Of Origin	Mexico

### Dimensions

Product Width US	72.0 in	Product Weight US	23.694 lb
Product Volume US	17.163 cu ft	Product Depth US	66.0 in
Product Height US	6.241 in		

### Buy American Act Compliance

BAA	Yes
-----	-----