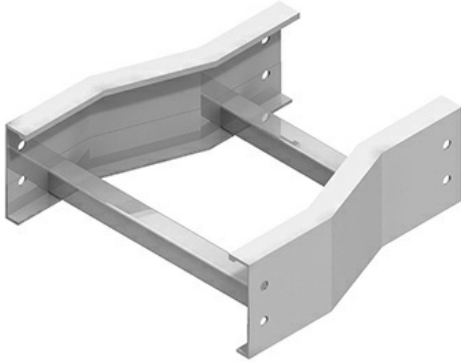




Cablofil  
**SC-7A-RR36-30 AL 7H RH REDUCER 36/30W**  
Part No. P313264



The aluminum I-beam design of ITray is perfect for industrial installations with large diameter cables in long span situations, minimizing total tray width and creating a smooth transition between straight sections and fittings. A structural offset in the sidewall creates strong, mid-span splices that need fewer supports. Each splice snaps in place and stays without holding. Additionally, only four bolts are needed for each splice reducing hardware needs by 50%. These features allow Itray to be installed up to 30% faster than standard tray.

## Features & Benefits

Material: Aluminum Alloy 6063

Finish: Plain

Bottom: LD: 1" wide rung

Construction: Welded

Connectors: All fittings are supplied with

Fitting heights (H): 4, 5, 6, 7

## Specifications

### General Info

|              |              |                   |        |
|--------------|--------------|-------------------|--------|
| Product Line | Cablofil     | Finish            | AL     |
| UPC Number   | 800388191402 | Country Of Origin | Mexico |

### Dimensions

|                   |             |                   |         |
|-------------------|-------------|-------------------|---------|
| Product Width US  | 37.5 in     | Product Weight US | 9.72 lb |
| Product Volume US | 2.829 cu ft | Product Depth US  | 18.0 in |
| Product Height US | 7.241 in    |                   |         |

### Buy American Act Compliance

|     |     |
|-----|-----|
| BAA | Yes |
|-----|-----|