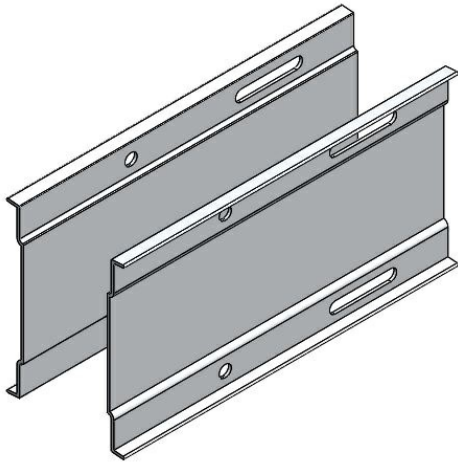




## Cablofil Expansion Splice Kit

Part No. P314161



The aluminum I-beam design of ITray is perfect for industrial installations with large diameter cables in long span situations, minimizing total tray width and creating a smooth transition between straight sections and fittings. A structural offset in the sidewall creates strong, mid-span splices that need fewer supports. Each splice snaps in place and stays without holding. Additionally, only four bolts are needed for each splice reducing hardware needs by 50%. These features allow Itray to be installed up to 30% faster than standard tray.

### Features & Benefits

Material: Aluminum Alloy 5052 - H32

Finish: Plain

Height (H): Tray height: 4", 5", 6", 7"

Torque: 19 - 25 ft-lbs

### Specifications

#### General Info

Product Line	Cablofil	Finish	Aluminum
UPC Number	800388200388	Country Of Origin	Mexico

#### Dimensions

Product Width US	2.02 in	Product Weight US	1.743 lb
Product Volume US	0.099 cu ft	Product Depth US	12.0 in
Product Height US	7.023 in		

#### Buy American Act Compliance

BAA	Yes
-----	-----