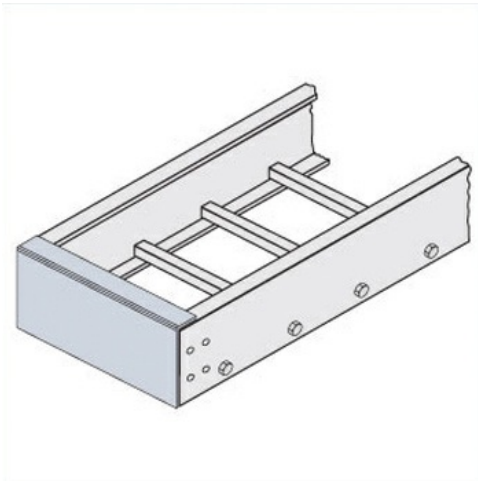




Cablofil  
Blind End Plate  
Part No. P606974



Choose from an extensive selection of metallic ladder tray with a variety of rung and bottom styles to choose from. Finishes include steel, 304L and 316L stainless steel to meet the needs of any application. Rail heights range from 4" to 7" and width sizes are available up to 36".

## Features & Benefits

---

Includes Hardware

## Specifications

---

### General Info

---

Product Line	Cablofil	Finish	Pre-Galvanized
--------------	----------	--------	----------------

---

### Dimensions

---

Product Width US	29.75 in	Product Weight US	1.98 lb
------------------	----------	-------------------	---------

---

Product Volume US	0.094 cu ft	Product Depth US	1.5 in
-------------------	-------------	------------------	--------

---

Product Height US	3.625 in
-------------------	----------

---