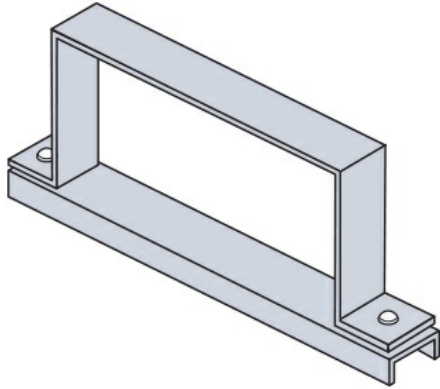




Cablofil
Flat Cover Connectors Strap-Style
Part No. P608383



The aluminum I-beam design of ITray is perfect for industrial installations with large diameter cables in long span situations, minimizing total tray width and creating a smooth transition between straight sections and fittings. A structural offset in the sidewall creates strong, mid-span splices that need fewer supports. Each splice snaps in place and stays without holding. Additionally, only four bolts are needed for each splice reducing hardware needs by 50%. These features allow Itray to be installed up to 30% faster than standard tray.

Features & Benefits

For use with indoor, outdoor, or vertical flat covers.

Top and bottom pieces are 1 1/2" wide.

Specifications

General Info

Product Line	Cablofil	Finish	Stainless 316
--------------	----------	--------	---------------

Dimensions

Product Width US	12.0 in	Product Weight US	1.36 lb
------------------	---------	-------------------	---------

Product Volume US	0.07 cu ft	Product Depth US	1.5 in
-------------------	------------	------------------	--------

Product Height US	6.75 in
-------------------	---------