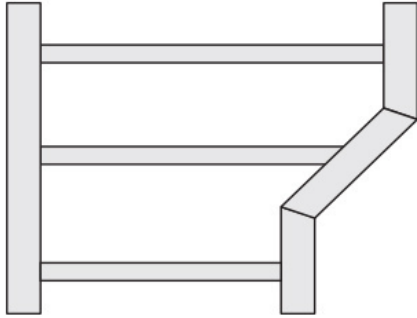




Cablofil
LD-7400-0809-06 FG RIGHT HAND REDUCER 09/06W
Part No. P630425



The aluminum I-beam design of ITray is perfect for industrial installations with large diameter cables in long span situations, minimizing total tray width and creating a smooth transition between straight sections and fittings. A structural offset in the sidewall creates strong, mid-span splices that need fewer supports. Each splice snaps in place and stays without holding. Additionally, only four bolts are needed for each splice reducing hardware needs by 50%. These features allow Itray to be installed up to 30% faster than standard tray.

Features & Benefits

Material: Aluminum Alloy 6063

Finish: Plain

Bottom: LD: 1" wide rung
SB: Flat sheet over Rung
SC: Solid Corrugated
VC: Vented Corrugated

Construction: Welded

Connectors: All fittings are supplied with necessary connectors and fasteners

Fitting heights (H): 4, 5, 6, 7

Specifications

General Info

Product Line	Cablofil	Finish	Other
UPC Number	800388529663	Country Of Origin	United States

Dimensions

Product Weight US 17.811 lb

Buy American Act Compliance

BAA Yes