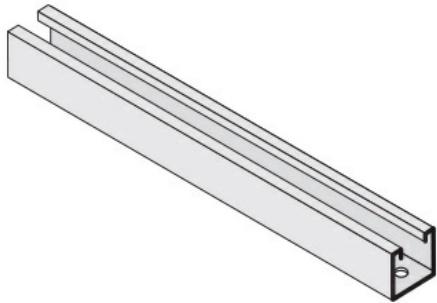




Cablofil
Single Hanger Channel
Part No. P642348



The aluminum I-beam design of ITray is perfect for industrial installations with large diameter cables in long span situations, minimizing total tray width and creating a smooth transition between straight sections and fittings. A structural offset in the sidewall creates strong, mid-span splices that need fewer supports. Each splice snaps in place and stays without holding. Additionally, only four bolts are needed for each splice reducing hardware needs by 50%. These features allow Itray to be installed up to 30% faster than standard tray.

Features & Benefits

Made from 12-gauge strut

Hangers have 9/16" diameter holes 13/16" from each end to accept 1/2" threaded rod

When used with Z-type hold-down clamps, select hanger with flange out dimensions

Specifications

General Info

| | | | |
|--------------|--------------|-------------------|---------------|
| Product Line | Cablofil | Finish | Stainless 316 |
| UPC Number | 800388531215 | Country Of Origin | Mexico |

Dimensions

| | | | |
|-------------------|---------|------------------|---------|
| Product Weight US | 6.28 lb | Product Depth US | 28.0 in |
|-------------------|---------|------------------|---------|

Buy American Act Compliance

| | |
|-----|-----|
| BAA | Yes |
|-----|-----|