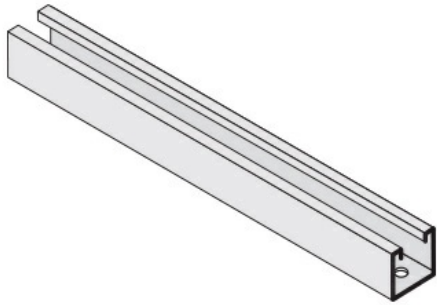




Cablofil  
Single Hanger Channel  
Part No. P642558



### Features & Benefits

Made from 12-gauge strut

Hangers have 9/16" diameter holes 13/16" from each end to accept 1/2" threaded rod

When used with Z-type hold-down clamps, select hanger with flange out dimensions

### Specifications

#### General Info

Product Line	Cablofil	Finish	Stainless 316
--------------	----------	--------	---------------

#### Dimensions

Product Weight US	3.516 lb
-------------------	----------