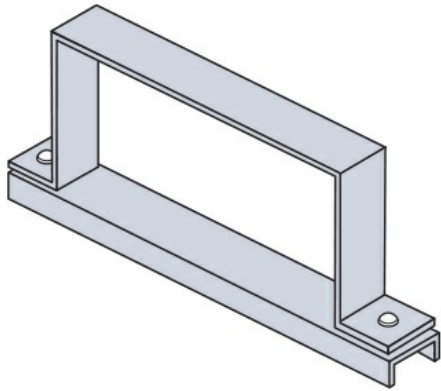




Cablofil
Flat Cover Connectors Strap-Style
Part No. P642765



The aluminum I-beam design of ITray is perfect for industrial installations with large diameter cables in long span situations, minimizing total tray width and creating a smooth transition between straight sections and fittings. A structural offset in the sidewall creates strong, mid-span splices that need fewer supports. Each splice snaps in place and stays without holding. Additionally, only four bolts are needed for each splice reducing hardware needs by 50%. These features allow Itray to be installed up to 30% faster than standard tray.

Features & Benefits

For use with indoor, outdoor, or vertical flat covers.

Top and bottom pieces are 1 1/2" wide.

Specifications

General Info

Product Line	Cablofil	Finish	Stainless 316
UPC Number	800388531840	Country Of Origin	Mexico

Dimensions

Product Width US	27.0 in	Product Weight US	2.057 lb
Product Volume US	0.158 cu ft	Product Depth US	1.5 in
Product Height US	6.75 in		

Buy American Act Compliance

BAA	Yes
-----	-----