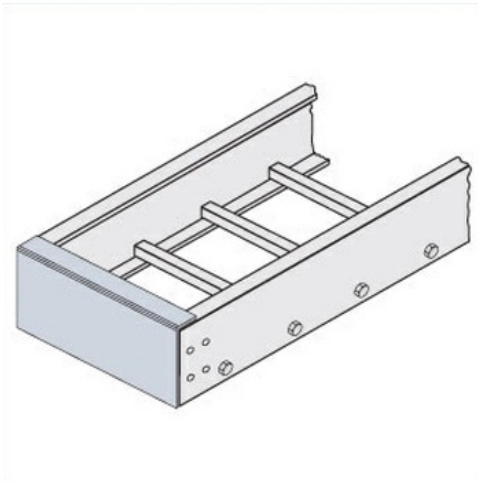




Cablofil  
**Blind End Plate**  
Part No. P644481



Choose from an extensive selection of metallic ladder tray with a variety of rung and bottom styles to choose from. Finishes include steel, 304L and 316L stainless steel to meet the needs of any application. Rail heights range from 4" to 7" and width sizes are available up to 36".

## Features & Benefits

---

Includes Hardware

## Specifications

---

### General Info

Product Line	Cablofil	Finish	Hot Dipped Galvanized
Country Of Origin	Mexico		

---

### Dimensions

Product Weight US	3.146 lb
-------------------	----------

---