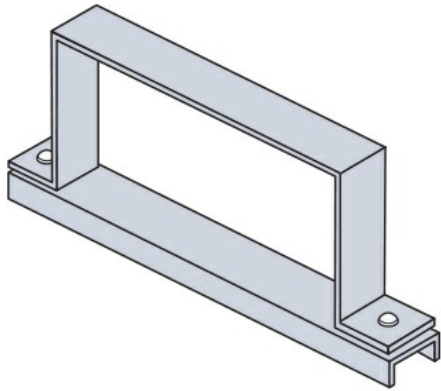




Cablofil  
**6G11-1423-24-S6 STRAP-TYPE CVR CONN KIT**  
Part No. P645325



Choose from an extensive selection of metallic ladder tray with a variety of rung and bottom styles to choose from. Finishes include steel, 304L and 316L stainless steel to meet the needs of any application. Rail heights range from 4" to 7" and width sizes are available up to 36".

## Features & Benefits

---

Includes splice plates

## Specifications

---

### General Info

---

Product Line	Cablofil	Finish	Hot Dipped Galvanized
UPC Number	800388534698	Country Of Origin	Mexico

---

### Dimensions

---

Product Weight US	1.711 lb
-------------------	----------

---

### Buy American Act Compliance

---

BAA	Yes
-----	-----

---