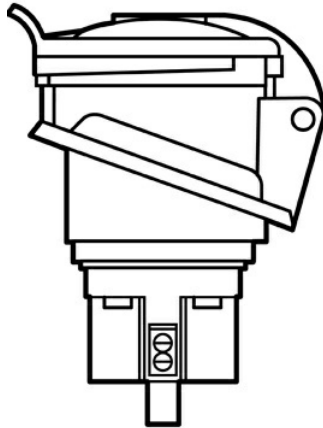




Pass and Seymour
Pin & Sleeve Splashproof 63A 200V/250V Receptacle
Part No. PS463R9S



Splashproof Receptacle, 3 Pole 4-Wire, 63A IP44 Suitability.
200/250V.

Features & Benefits

All P&S Watertight Pin & Sleeve plugs, connectors, receptacles, and inlets bring you the features to enhance versatility, reliability, and safety.

North American products come completely ready to wire, for quick, simple installation. And all feature chemical-resistant thermoplastic construction.

Shrouded, nickel-plated, solid-brass pins provide corrosion protection and excellent conductivity.

An exclusive, hinged cord grip eliminates loose parts that get lost.

Specifications

General Info

Product Line	Pass & Seymour	Color	Gray
Country Of Origin	United States		

Dimensions

Product Width US	4.2 in	Product Height US	5.08 in
Product Length US	6.26 in		