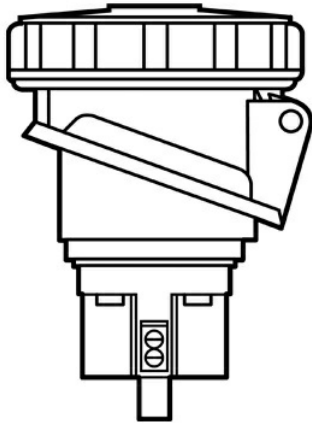




Pass and Seymour
Pin & Sleeve Watertight 100A 3ØY 120V/208V Receptacle
Part No. PS5100R9W



4-Pole, 5-Wire, Pin and Sleeve Receptacle. 100A, 3Y, 120/208V.

Features & Benefits

All P&S Watertight Pin & Sleeve plugs, connectors, receptacles, and inlets bring you the features to enhance versatility, reliability, and safety.

And all feature chemical-resistant thermoplastic construction.

An exclusive, hinged cord grip eliminates loose parts that get lost.

North American products come completely ready to wire, for quick, simple installation.

Shrouded, nickel-plated, solid-brass pins provide corrosion protection and excellent conductivity.

Specifications

General Info

Product Line	Pass & Seymour	Color	Gray
Country Of Origin	United States	Application Sector	Commercial
Standard	UL Listed		

Dimensions

Product Width US	5.2 in	Product Height US	6.6 in
Product Length US	5.6 in		

Listing Agencies / 3rd Party Agencies

cULus ListingNumber	151348	cULus Listed	Yes
---------------------	--------	--------------	-----

Technical Information

Number of Wires	5	Amperage	100 A
Number of Poles	4-Way	Wire Size	2 AWG
Voltage	120.0 V		
