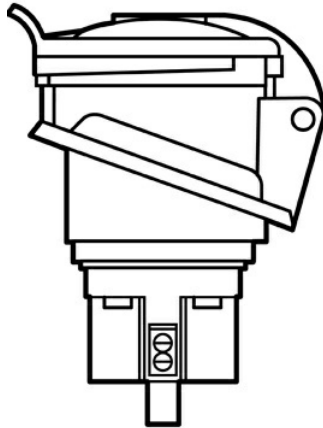




Pass and Seymour  
Pin & Sleeve Splashproof 16A 120V/208V 144V/250V Receptacle  
Part No. PS516R9S



4-Pole, 5-Wire, Receptacle. 16A, 120/208, 144/250V.

## Features & Benefits

All P&S Watertight Pin & Sleeve plugs, connectors, receptacles, and inlets bring you the features to enhance versatility, reliability, and safety.

And all feature chemical-resistant thermoplastic construction.

An exclusive, hinged cord grip eliminates loose parts that get lost.

North American products come completely ready to wire, for quick, simple installation.

Shrouded, nickel-plated, solid-brass pins provide corrosion protection and excellent conductivity.

## Specifications

### General Info

Product Line	Pass & Seymour	Color	Gray
--------------	----------------	-------	------

Country Of Origin	United States
-------------------	---------------

### Dimensions

Product Width US	2.9 in	Product Height US	3.66 in
------------------	--------	-------------------	---------

Product Length US	3.46 in
-------------------	---------