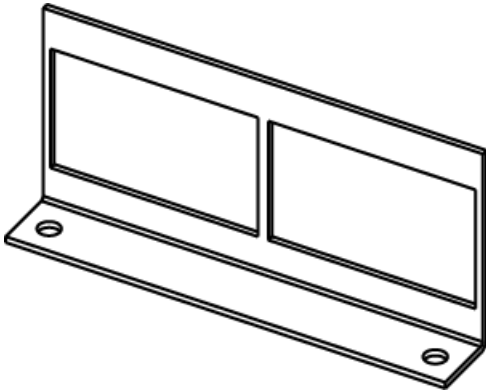




Wiremold
RFB2 Series Internal Communication Bracket
Part No. RFB22AB



Includes two (2) Wiremold CM Series Open System adapters (sold separately). NOTE: For RFB2 Series Floor Boxes only.

Features & Benefits

Includes two (2) Wiremold CM Series Open System adapters (sold separately). NOTE: For RFB2 Series Floor Boxes only.

Specifications

General Info

Product Line	Wiremold	UPC Number	786776093421
Country Of Origin	United States	Construction	Unassembled
Application Sector	Commercial	Standard	cULus Listed Metallic Outlet Boxes: File E2961 Guide QCIT Meets Article 314.27(C) of NEC.
Type	Floor Box		

Dimensions

Product Length US	4.2 in
-------------------	--------

Listing Agencies / 3rd Party Agencies

cULus ListingNumber	E2961	cULus Listed	Yes
---------------------	-------	--------------	-----

Additional Information

RoHS Conformant	Yes
-----------------	-----