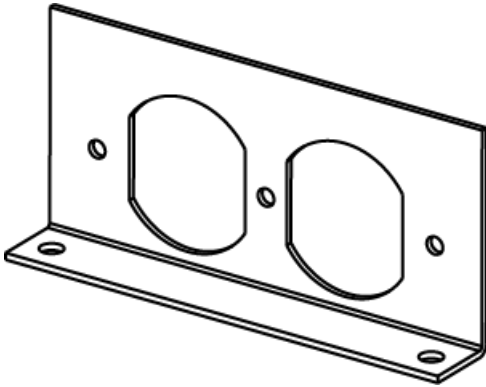




Wiremold  
RFB2 Series Internal Duplex Receptacle Bracket  
Part No. RFB2DP



Accepts standard 15A and 20A duplex receptacles. NOTE: For RFB2 Series Floor Boxes only.

## Features & Benefits

Accepts standard 15A and 20A duplex receptacles. NOTE: For RFB2 Series Floor Boxes only.

## Specifications

### General Info

Product Line	Wiremold	UPC Number	786564093398
Country Of Origin	United States	Construction	Unassembled
Application Sector	Commercial	Standard	cULus Listed Metallic Outlet Boxes: File E2961 Guide QCIT Meets Article 314.27(C) of NEC.
Type	Floor Box		

### Dimensions

Product Width US	2.566 in	Product Depth US	0.1 in
Product Length US	4.2 in		

### Listing Agencies / 3rd Party Agencies

cULus ListingNumber	E2961	cULus Listed	Yes
---------------------	-------	--------------	-----

### Additional Information

RoHS Conformant	Yes
-----------------	-----