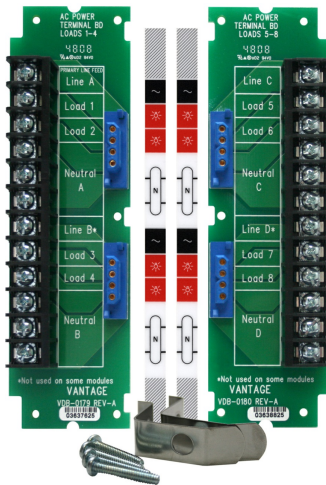




## Vantage Legacy Module Terminal Kit Part No. TLM-KIT



Vantage's Legacy AC Terminal Boards are sold and installed separately from the enclosures. This allows the installer to use different module models inside the enclosure. AC terminal boards can be ordered in a kit that includes the left and right side boards or individually.

### Features & Benefits

Includes: One VSUB172 (left board), one VSUB173(right board), four Screws, two Spring clips, left/right load labels

Supports the following legacy modules: MDS8RW101/102 Dimmers, MDR8RW101/102 Relays, EDIMMOD Electronic Dimmers, FANMOD Ceiling Fans, SD4008A-120 Dimmers, SD9008A-277 Dimmers, and AR8008-120 Relay

### Specifications

#### General Info

Product Line	Vantage	UPC Number	804428058014
Country Of Origin	China	Application Sector	Commercial, Residential
Warranty Type	5-Year	Type	Controller, Terminal Board

#### Dimensions

Product Width US	2.25 in	Product Weight US	11.9 oz
Product Depth US	0.875 in	Product Height US	7.5 in

#### Listing Agencies / 3rd Party Agencies

cUL Listed	Yes
------------	-----

#### Additional Information

Energy Savings	No
----------------	----

---

## Technical Information

---

Compatibility	InFusion	Wire Gauge	14-12 AWG
Storage Humidity	5-95% RH (Non-Condensing)	Indoor/Outdoor	Indoor
Operating Temperature	0°-40°C, 32°-104°F		

---