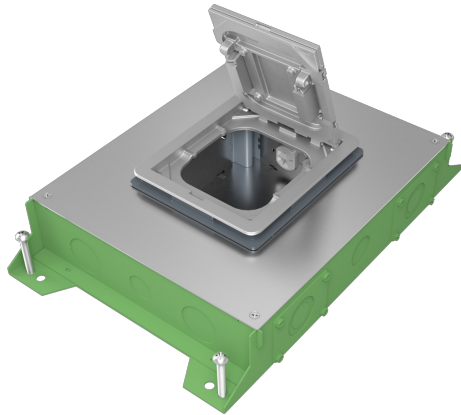




Wiremold
Discontinued - RFBA 4-Gang Floor Box - On Grade
Part No. RFBA4R30OG-NA



Your go-to floor box just got better. Resource RFB Series Floor Boxes are designed for maximum efficiency throughout an entire building, bringing versatile recessed activations for power and data services to open space areas or directly to workstations. No matter what size you choose, components and accessories work across the entire line interchangeably. Simply mix-and-match as needed for your project. Improved wire and cable routing makes wire pulling much easier in adjacent compartments and around corners. Available in 2-, 4-, 6- and 10-gang models with a variety of covers, colors and profiles.* Installs in tile, stone, carpet, terrazzo, wood and polished concrete. Perfect for many applications, including schools, financial institutions, commercial office buildings, hospitality and residential.

Features & Benefits

One Consistent Design: Mix-and-match Resource RFBA Series Floor Boxes of any size with interchangeable components. Makes every project installation quick and efficient.

Improved Wire and Cable Routing: Allows for easier wire pulling in adjacent compartments and around corners, reducing the overall cost for most cabling requirements.

Buy America Compliant

Universal-Sized Conduit Feed: Meets all requirements for each box. 2- and 4-gang shallow boxes accept a 1" conduit feed, while all standard boxes accept a 2" conduit feed.

Removable Dividers Post-Pour: Fully adjustable before and after the concrete pour.

Specifications

General Info

Product Line	Wiremold	Finish	Epoxy Coated
UPC Number	786564111207	Country Of Origin	United States
Material	Steel	Application Sector	Commercial
Standard	BAA	Warranty Type	1-Year from Installation or 2-Years from Day of Sale
Type	Floor Box		

Dimensions

Product Width US	11.937 in	Product Weight US	13.5 lb
------------------	-----------	-------------------	---------

Product Height US	3.5 in	Product Length US	17.75 in
-------------------	--------	-------------------	----------

Knockout Size	2 in, 3/4 in
---------------	--------------

Listing Agencies / 3rd Party Agencies

cULus ListingNumber	E2961	cULus Listed	Yes
---------------------	-------	--------------	-----

Additional Information

Energy Savings	No	Product Environmental Profile	Yes
----------------	----	-------------------------------	-----

Technical Information

Floor Type	Concrete	Service Capacity	Multiple
------------	----------	------------------	----------

Minimum Floor Depth	3 in	Box Capacity	4 Gangs
---------------------	------	--------------	---------

Box Type	On-Grade	Depth Behind Device Plates	2.75 in
----------	----------	----------------------------	---------
