



Integrated Power & Cable Management for Worksurfaces

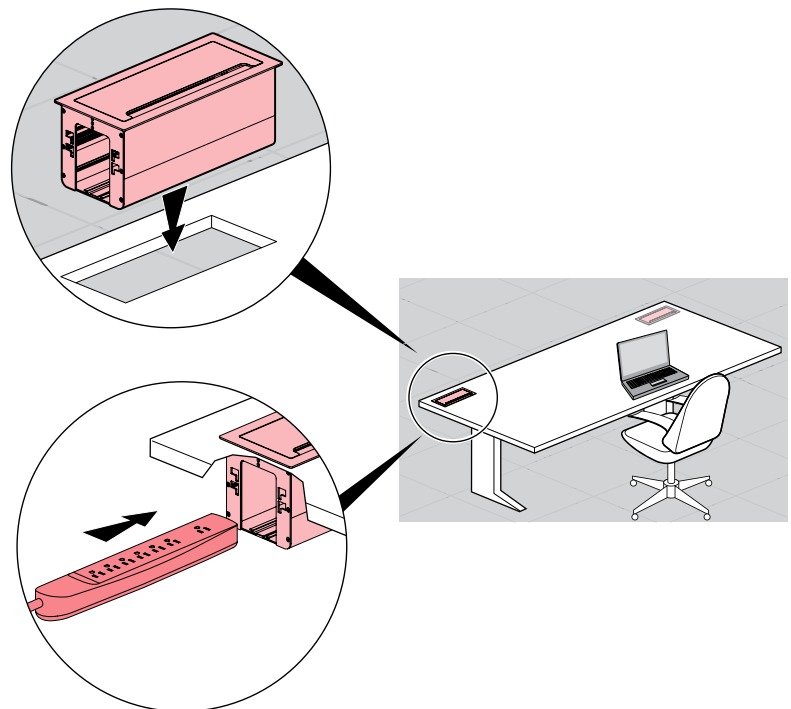
The Empty Access Table Box is designed to be installed into furniture to allow for easier access to installed plug strips closer to the point-of-use. The box installs directly into worksurfaces that have been cut to accommodate the box and secures to the table using a clamp mount to ensure easy adjustability for worksurfaces of different depths. The wide opening on the side of the box allows for plug strips to be easily installed and managed.

The lid of the box allows cords to exit the box front and power devices on the worksurface or hinges open for plugging devices in. The box is perfect for adding more convenient access to power at conference room tables or workstations.

Provides convenient access to plug strips at worksurface level

Features & Benefits

- **Easy Installation.** Cut a hole into the worksurface and drop the box inside. The top lip around the box edge hides any imperfections.
- **Match Space Aesthetics.** Available in 3 different top finishes, including black, white, and aluminum to fit with any decor.
- **Convenient Access to Power.** Place any plug strip into this box, up to 10.82 inches in length.
- **Adjustable Mounting Supports.** Includes adjustable mount support that accommodates surface depth from 0.39" to 1.57".
- **RoHS, Prop 65 compliant.**



Vertical Markets

- Hospitality
- Residential
- Commercial
- Education

Product Family Name Ordering Information

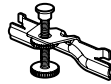
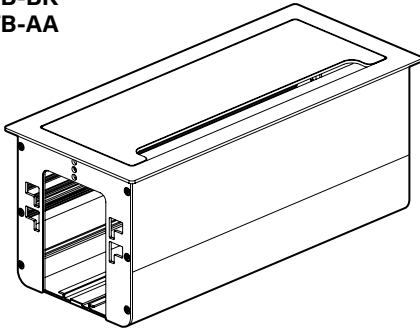
Catalog No./Item

ETB-WH
ETB-BK
ETB-AA

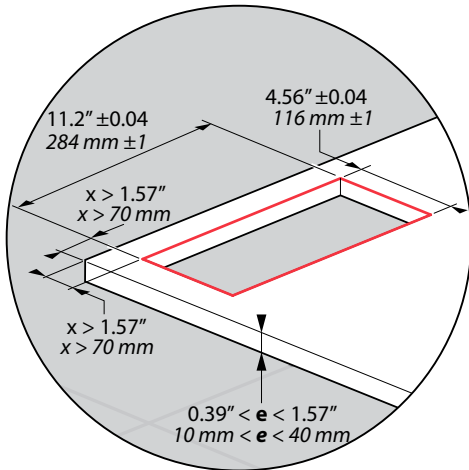
Description/Specifications

Empty Access Table Box - In-Furniture Box designed to house plug strip. Supports worksurfaces from 0.39" (10mm) to 1.57" (40mm) in depth and has an internal height clearance of 4.72" for plug strip and attached devices. Includes hinged top cover with cable egress slot for easy access to plug strip and attached devices. Available in 3 different top finishes, including white (WH), black (BK), and aluminum (AA).

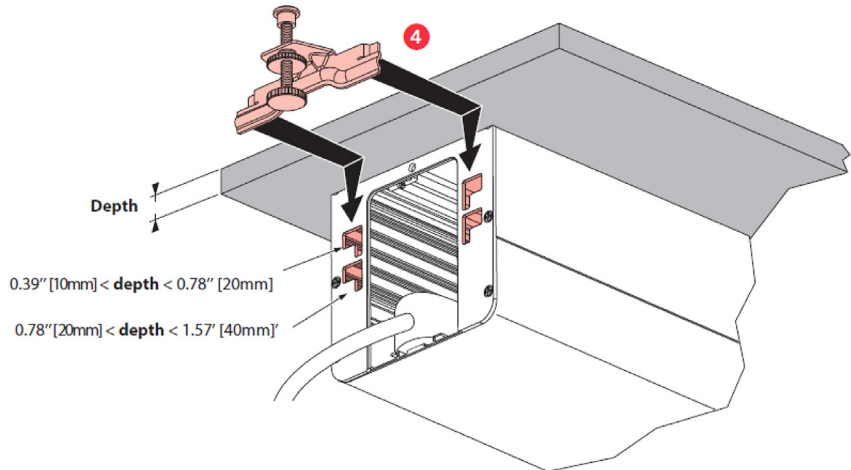
Country of Origin: China



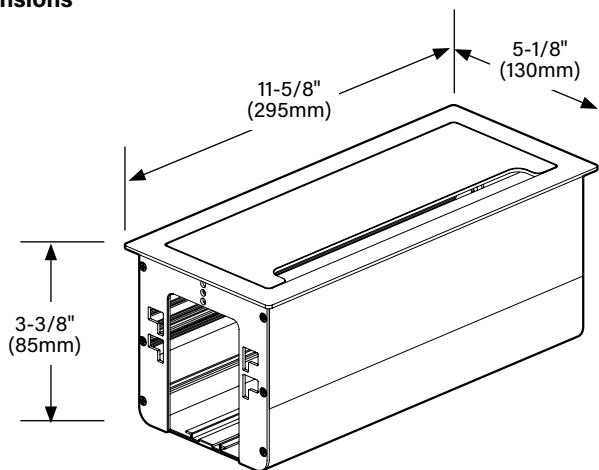
Furniture Cutout:



Mounting Support:



Dimensions



NOTE: All brand and product names referenced in this document are registered trademarks or trademarks of their respective holders.



Legrand, North America
60 Woodlawn Street
West Hartford, CT 06110
1.877.BY.LEGRAND (295.3472)
www.legrand.us

Canada
1.800.723.5175 • 905.738.9195
www.legrand.ca

FOLLOW US

