

# DLM WIRELESS SLIM SWITCHES

## LMSW-600-S SERIES



- Modern, architecturally-focused aesthetic provides a premium appearance
- Integral adhesive and wall-box mounting options create ultimate installation speed and flexibility
- Radiant mount is removable when wall-box mounted to allow for use of any decor-sized plate
- Removable alignment wings allow for multi-gang adhesive mounting
- Up to 5-year battery life via coin battery enables faster and lower-cost maintenance
- LED indicator provides user feedback and device status information

### DESCRIPTION

The LMSW-600-S Series Slim Switches are wireless low voltage devices for dimming and/or switching of one or more lighting loads. They are part of the wireless Digital Lighting Management (DLM) system and can control loads connected to wireless DLM dimming room controllers (e.g. LMRC-611MCC) for a totally wireless room. Alternatively it can be used in a hybrid wired and wireless room to control loads connected to a traditional wired room controller (e.g. LMRC-111) when used in conjunction with an LMBC-650 wireless bridge. The Slim Switch series also allows for either adhesive or wall-box mounting, greatly simplifying installation considerations.

### OPERATION

The LMSW-600-S Slim Switches operate on an included CR2032 battery providing a 5+ year lifespan. Installers can create a wireless mesh network using Push-to-Pair (detailed below), connecting the Slim Switch to other wireless DLM devices in the room (e.g. LMRC-611MCC wireless dimming room controller or LMBC-650 wireless bridge), drastically reducing installation time and eliminating wiring errors. Commissioning is accomplished in one of two ways:

1. **DLM Configuration App** available for iOS® or Android®. Simply walk through the on screen prompts to connect and configure wireless DLM devices in the room. Plug n' Go automatic configuration assigns all loads connected to dimming room controllers to the dimming switch upon system startup.
2. **Push-to-Pair** – Press the “config” button on each wireless device in the room to pair them together.



When multiple switches are installed, default operation is for multi-way control; each switch controls all of the loads in their wireless space. Dimming switches may be reconfigured using Push n' Learn to control only selected loads. The LMSW-600-S may be used to raise or lower light levels, recall a preset level and turn lights on or off.

The built-in Bluetooth low energy technology and IPv6 radio transceivers in the LMSW-600-S allows two-way communication for both wireless configuration using the DLM Configuration App and system operation.

A single multi-colored LED provides device status information to the user. See the Quick Start Guide for details.

Each dimming switch may be personalized in the field with a custom-engraved button.

### APPLICATIONS

The LMSW-600-S Series Slim Switches are ideal for applications where a user control station is desired, such as conference and board rooms, classrooms, training centers, and private offices. The included adhesive mounting allows for installation in atypical locations such as onto metallic panels, glass, or other decorative surfaces, in gangs of 1 to 6 switches with standard Radiant® screwless wall plates. Wall-box mounting is also available for traditional installations or retrofits, compatible with any decora plate.

PROJECT		LOCATION/ TYPE	
---------	--	-------------------	--

## FEATURES

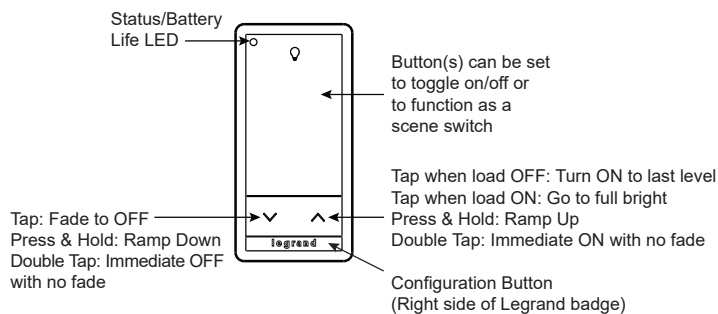
- Component of the wireless Digital Lighting Management integrated control system
- Robust and reliable BACnet over IPv6 Network based on open standards & protocols
- Backward compatible with wired DLM via wireless bridge (LMBC-650) enabling easy hybrid architecture when wired product functionality is needed
- Device Validation: Trusted hardware chips prevent any outside devices from being able to connect to the lighting control network.
- Zero touch provisioning: Pre-loaded digital identity and security profile increases system security level.
- Ongoing AES encryption: Communication between devices is protected by AES128 symmetric key encryption
- Push n' Learn for personalization
- Multiple options for commissioning: the DLM Configuration App for iOS or Android, Push-to-Pair
- Supports wall-box or adhesive mounting (note: adhesive mounted switches must use Radiant wall plates, sold separately)
- IPv6 wireless standard delivers reliable, long range, low latency wireless communication that is scalable for a single room or entire buildings with thousands of rooms
- Firmware can easily be updated over the air using the DLM Configuration App (which communicates via Bluetooth low energy technology)
- Internal antennas with diversity provide robust signal strength and reliable communication
- Provides full function dimming control in multi-way applications, such as 3-way and 4-way
- The product meets the materials restrictions of RoHS

## SPECIFICATIONS

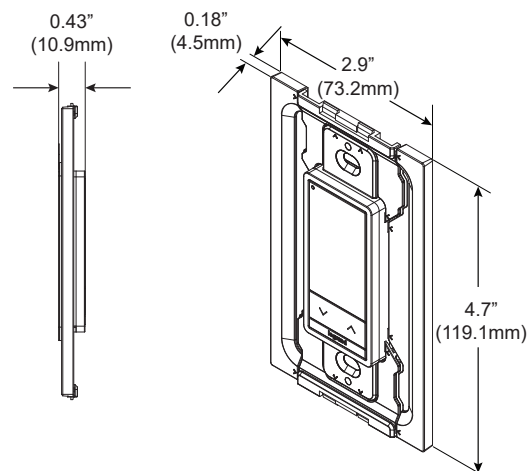
- Power Supply: Battery powered, Lithium ion, CR2032 3V 225mAh (included)
- Mounting: Wall-box via screws or adhesive pad (both included)
- Supported wall plates: Standard decora plates via wall-box mount or Radiant plates via adhesive mount (sold separately)
- Connection to DLM Network: Wireless IPv6 Mesh
- Wireless Standards supported:
  - IPv6 (6LoWPAN / 802.15.4 / 2.4GHz), range up to 60 ft.
  - Bluetooth low energy (802.15.4 / 2.4GHz), range up to 30 ft.
- Built-in Antennas: IPv6 and Bluetooth low energy
- Device Security:
  - Factory provisioned trusted hardware
- Wireless Encryption: AES 128-bit symmetric key
- Operating conditions: for indoor use only; 32-104°F (0-40°C); 5-95% RH, non-condensing
- UL and cUL listed
- FCC part 15 compliant
- Five year warranty

## CONTROLS & DIMENSIONS

### Controls

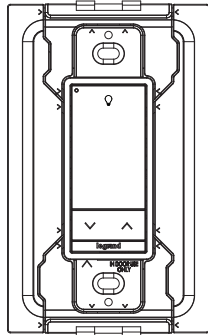


### Dimensions

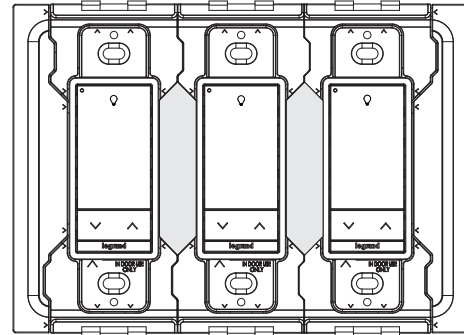


## MOUNTING

LMSW-600-S Series switches have an adhesive backing, allowing mounting directly onto walls, metallic panels, glass, or other decorative surfaces. The switches are designed with snap-off wings that allow you to install gangs of 1 to 6 switches, with standard Radiant wall plates.

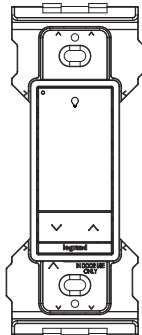


Single Switch adhesive mounting



Remove side wings to adhesive mount multiple switches

LMSW-600-S series switches can also be mounted in a wall box.



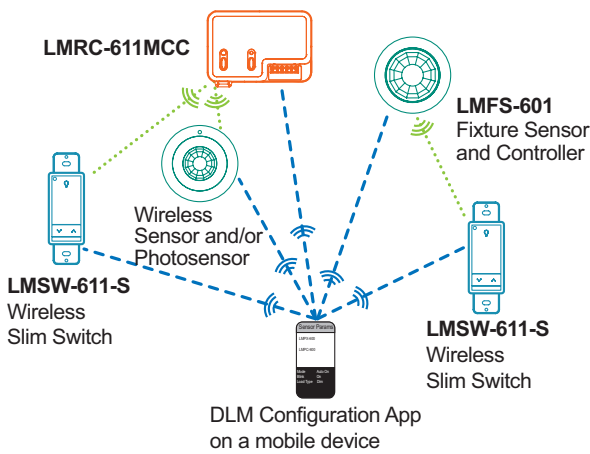
Remove side wings to wall box mount using a Radiant cover plate



Remove all wings to wall box mount using a Decora cover plate

## CONNECTION

### Wireless Room



#### Distance Recommendations:

- 30' max between LMSW-6xx-S and mobile device
- 60' max between LMSW-6xx-S and room controller or bridge

- ..... IPv6 Wireless communication between DLM Room devices over 6LoWPAN
- - - - - Bluetooth wireless technology communication for **mobile App support**

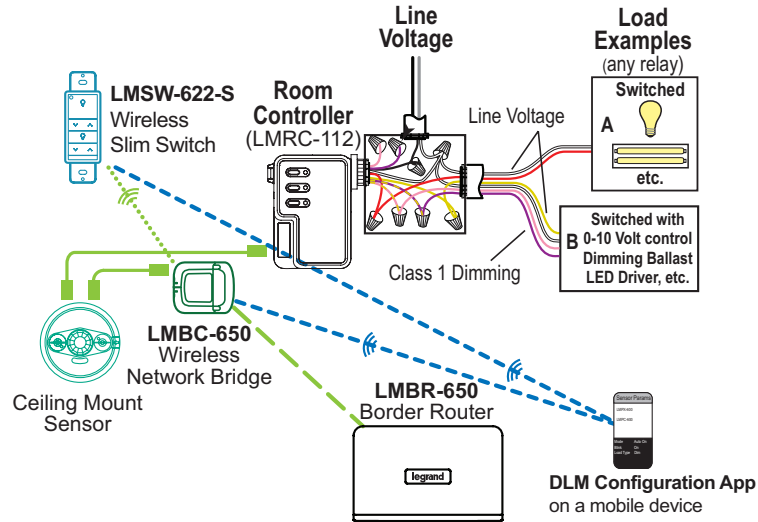
(Note that a single LMSW6xx-S can control both wireless room controllers and the LMFS-601.)

## CONNECTION

### Hybrid Room

(Wired and Wireless Devices)

- ⋯⋯⋯ IPv6 Wireless communication between DLM Room devices over 6LoWPAN
- IPv6 Mesh
- Bluetooth wireless technology for mobile App support



**Note:** For a single (non-networked) hybrid room, the LMBR-650 is not required.

**Note:** The DLM Config App can only connect with the LMBC-650 to update firmware or pair devices. You need an LMBR-650 and LMCS to commission a Hybrid room. For a single room, without an LMBR-650, LMCS can connect to the LMBC-650 via the LMCI.

## ORDERING INFORMATION

Catalog #	Color	Description
<input type="checkbox"/> LMSW-611-S-W	White	Wireless 1-Button, 1-Rocker Wall Slim Switch
<input type="checkbox"/> LMSW-611-S-LA	Light Almond	
<input type="checkbox"/> LMSW-611-S-I	Ivory	
<input type="checkbox"/> LMSW-611-S-GRY	Gray	
<input type="checkbox"/> LMSW-611-S-BK	Black	
<input type="checkbox"/> LMSW-611-S-BR	Brown	
<input type="checkbox"/> LMSW-611-S-RED	Red	
<input type="checkbox"/> LMSW-610-S-W	White	Wireless 1-Button Wall Slim Switch
<input type="checkbox"/> LMSW-610-S-LA	Light Almond	
<input type="checkbox"/> LMSW-610-S-I	Ivory	
<input type="checkbox"/> LMSW-610-S-GRY	Gray	
<input type="checkbox"/> LMSW-610-S-BK	Black	
<input type="checkbox"/> LMSW-610-S-BR	Brown	
<input type="checkbox"/> LMSW-610-S-RED	Red	

**Note:** Switches do not include face plates. Order Radiant or decora plate separately.

The Bluetooth® word mark and logos are registered trademarks owned by the Bluetooth SIG, Inc. and any use of such marks by Wattstopper is under license.

Google Play and the Google Play logo are trademarks of Google Inc.

The Apple logo, iPhone, iPod touch, and iTunes are trademarks of Apple Inc., registered in the U.S. and other countries.

Catalog #	Color	Description
<input type="checkbox"/> LMSW-622-S-W	White	Wireless 2-Button, 2-Rocker Wall Slim Switch
<input type="checkbox"/> LMSW-622-S-LA	Light Almond	
<input type="checkbox"/> LMSW-622-S-I	Ivory	
<input type="checkbox"/> LMSW-622-S-GRY	Gray	
<input type="checkbox"/> LMSW-622-S-BK	Black	
<input type="checkbox"/> LMSW-622-S-BR	Brown	
<input type="checkbox"/> LMSW-622-S-RED	Red	
<input type="checkbox"/> LMSW-632-S-W	White	Wireless 3-Button, 2-Rocker Wall Slim Switch
<input type="checkbox"/> LMSW-632-S-LA	Light Almond	
<input type="checkbox"/> LMSW-632-S-I	Ivory	
<input type="checkbox"/> LMSW-632-S-GRY	Gray	
<input type="checkbox"/> LMSW-632-S-BK	Black	
<input type="checkbox"/> LMSW-632-S-BR	Brown	
<input type="checkbox"/> LMSW-632-S-RED	Red	
<input type="checkbox"/> LMSW-641-S-W	White	Wireless 4-Button, 1-Rocker Wall Slim Switch
<input type="checkbox"/> LMSW-641-S-LA	Light Almond	
<input type="checkbox"/> LMSW-641-S-I	Ivory	
<input type="checkbox"/> LMSW-641-S-GRY	Gray	
<input type="checkbox"/> LMSW-641-S-BK	Black	
<input type="checkbox"/> LMSW-641-S-BR	Brown	
<input type="checkbox"/> LMSW-641-S-RED	Red	