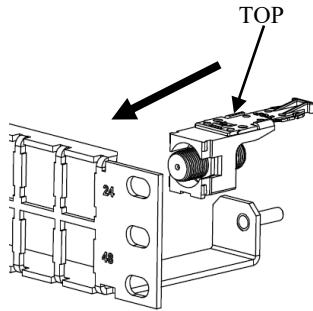
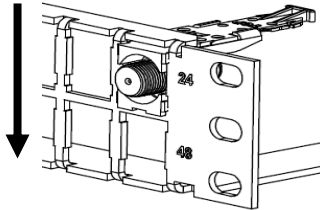


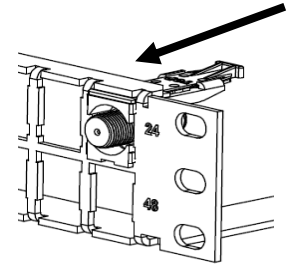
PANEL INSTALLATION



STEP 1:
PULL SLIDE LOCK ALL THE WAY BACK,
THEN INSERT AV MODULE FROM REAR
SIDE OF PANEL (AV MODULE WILL ONLY
GO IN ONE WAY WITH SLIDE LOCK UP)

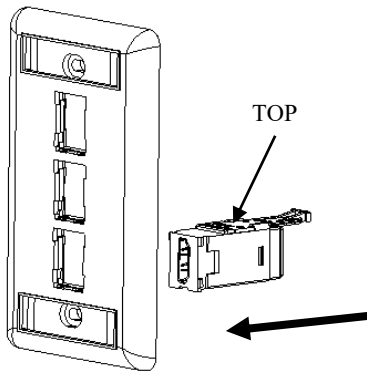


STEP 2:
ONCE AV MODULE SHOULDERS
COME INTO CONTACT WITH
BACKSIDE OF PANEL, PRESS
AV MODULE DOWNWARD

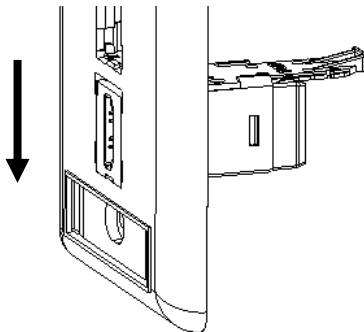


STEP 3:
PUSH FORWARD ON SLIDE LOCK UNTIL
THE FRONT ENGAGES PANEL AND IS
FLUSH WITH THE AV MODULE FACE

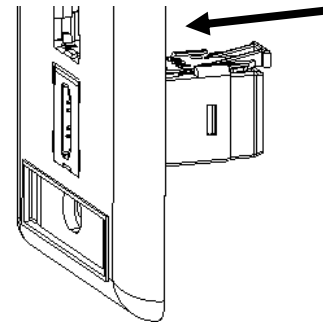
FACEPLATE INSTALLATION



STEP 1:
PULL SLIDE LOCK ALL THE WAY BACK,
THEN INSERT AV MODULE FROM REAR
SIDE OF PANEL (AV MODULE WILL ONLY
GO IN ONE WAY WITH SLIDE LOCK UP)

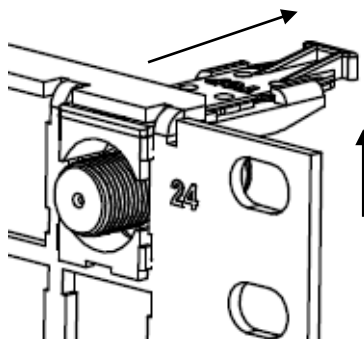


STEP 2:
ONCE AV MODULE SHOULDERS COME
INTO CONTACT WITH BACKSIDE OF
FACEPLATE, PRESS AV MODULE
DOWNWARD



STEP 3:
PUSH SLIDE LOCK FORWARD UNTIL
THE FRONT ENGAGES FACEPLATE AND
IS FLUSH WITH THE AV MODULE FACE

**AV MODULE REMOVAL
(STANDARD FOR ALL FACEPLATES AND PANELS)**



STEP 1: →
PULL SLIDE LOCK BACK

STEP 2:
LIFT UP AV MODULE
HOUSING

STEP 3: →
PULL OUT AV MODULE
HOUSING