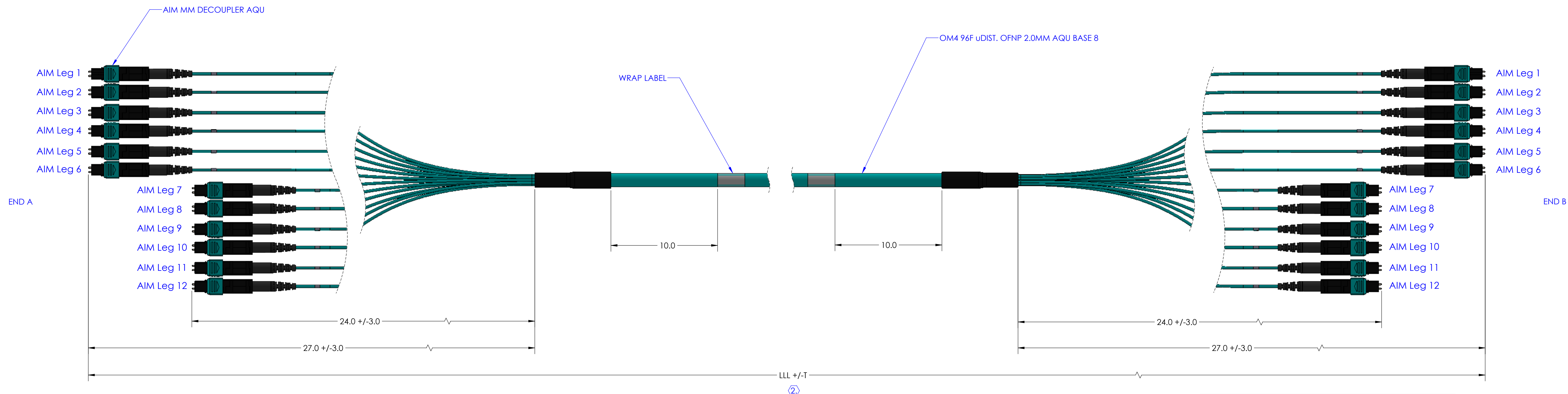


NOTES:

- ALL CABLE ASSEMBLIES DESCRIBED BY THIS DOCUMENT SHALL BE IN ACCORDANCE WITH PERFORMANCE SPECIFICATION 71800079C, AND SHALL MEET OR EXCEED TIER 1.
- THE NOTATION "LLL" WITHIN THE PART NUMBER SHALL IDENTIFY THE OVERALL LENGTH FROM FERRULE TIP TO FERRULE TIP AS SHOWN. THE UNITS OF MEASURE ARE INDICATED BY THE CHARACTER POSITION IMMEDIATELY FOLLOWING THE "LLL" PORTION OF THE PART NUMBER (I.E. M=METERS, F=FEET). LENGTH TOLERANCE IS:
 $\leq 1FT = -0/+1IN$
 $> 1FT \leq 5FT = -0/+2IN$
 $> 5FT \leq 10FT = -0/+4IN$
 $> 10FT \leq 25FT = -0/+6IN$
 $> 25FT = -0/+5%$
- THE CABLE SHALL HAVE THE FOLLOWING INFORMATION PRINTED ON THE JACKET: DATE OF MANUFACTURE, FIBER CORE DIAMETER/CLADDING DIAMETER, LOT NUMBER, AND SEQUENTIAL LENGTH MARKINGS. FOR RISER OFNR SHALL BE MARKED ON THE CABLE.
- ASSEMBLY SHALL BE PACKAGED IN ACCORDANCE WITH 71701277. PACKAGING AND ENVIRONMENTAL COMPLIANCE SHALL BE IN ACCORDANCE WITH 71700217. SEE 71701277 FOR PART DEFINITIONS OF PACKAGING RELATED ITEMS NOT DEFINED.
- POLARITY SHALL BE PER THE CONNECTION TABLE BELOW.
- EACH CABLE ASSEMBLY SHALL BE IDENTIFIED WITH A PART NUMBER, A 4 DIGIT MANUFACTURE DATE CODE (WWYY=WEEK YEAR), LOCATION CODE (XX), AND SERIAL NUMBER.
- CABLE USED IN CONSTRUCTION: OM4 96F uDIST. OFNP 2.0MM AQU BASE 8.
- UNLESS OTHERWISE NOTED, DIMENSIONS ARE IN INCHES.

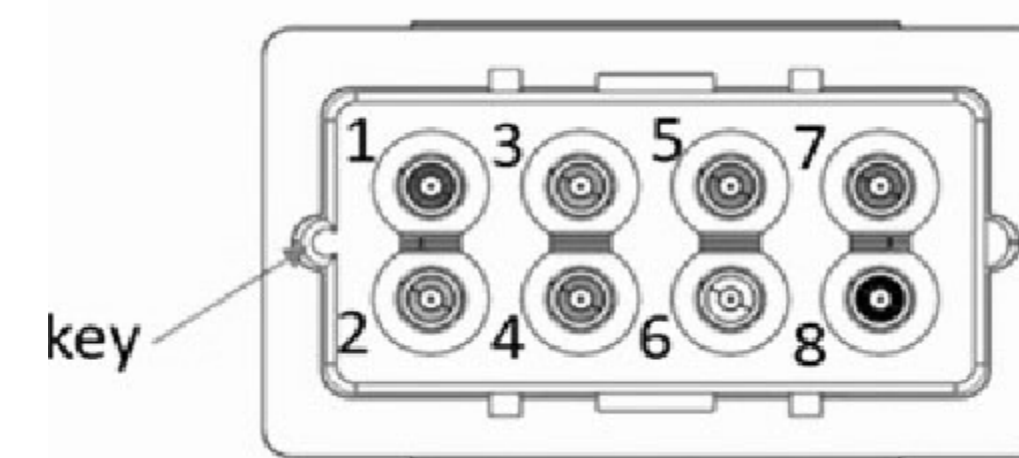


5.

CONNECTION TABLE 8F
acclAIM™ to acclAIM™
TYPE C

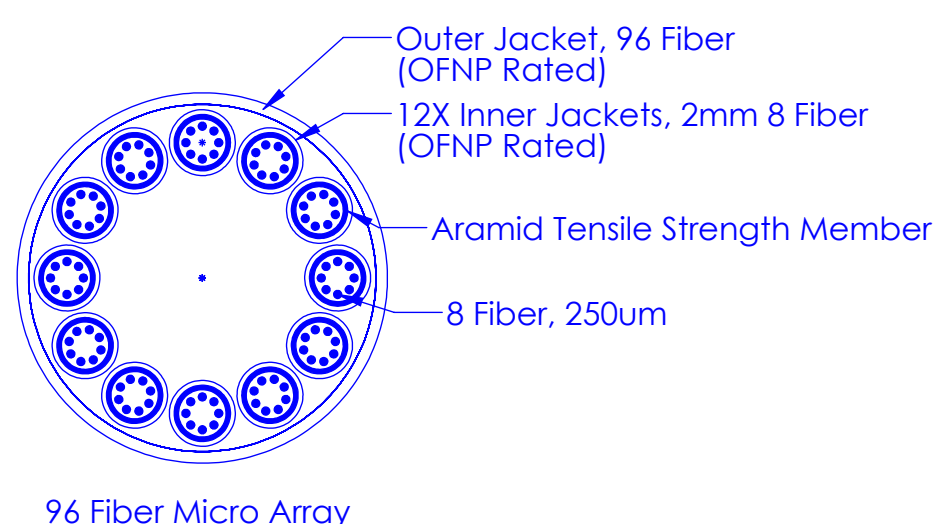
FIBER COLOR	acclAIM™ POS.	acclAIM™ POS.
BLUE	1	2
ORANGE	2	1
GREEN	3	4
BROWN	4	3
SLATE	5	6
WHITE	6	5
RED	7	8
BLACK	8	7

*NOTE: CHART REPRESENTS FIRST 8 FIBERS IN ASSEMBLY. PATTERN REPEATS FOR SUBSEQUENT FIBERS.



AIM ENDFACE

CABLE CONSTRUCTION



Fiber Specifications	
Fiber Class	OM4 Multimode, 50µm
Primary Supplier	-
Fiber Brand	-
IEC 60793-2-50 / 60793-2-10 Type	A1-OM4b
TIA Compliance	492AAAF (Formerly 492AAD)
ISO/IEC 11801-1 Cabled Fiber Performance Category	OM4
ITU-T Compliance	G.651.1
Effective Modal Bandwidth-Length Product at 850nm	≥4700 MHz-km

*** NOTICE ***
THIS DOCUMENT CONTAINS CONFIDENTIAL AND/OR PROPRIETARY INFORMATION INTENDED FOR USE ONLY BY THE INDIVIDUAL(S) PROVIDED.
NEITHER THIS DOCUMENT, NOR ANY INFORMATION CONTAINED HEREIN, MAY BE COPIED, DISTRIBUTED, DISCLOSED TO ANY THIRD PARTY OR USED IN ANY MANNER OTHER THAN FOR WHICH IT HAS BEEN PROVIDED, WITHOUT THE PRIOR WRITTEN CONSENT OF LEGRAND, INC.
MANUFACTURING RELEASE. PRODUCT SPECIFICATIONS AND STANDARDS ARE SUBJECT TO CHANGE WITHOUT NOTICE.

legrand WWW.LEGRAND.US

TITLE
CORE, 96F, OM4, PL, AQU, AIM-AIM, TYPE-C

DWN	NAME	DATE	SIZE	CAD FILE	DWG NO	REV
CHK	GD	6/10/2024	D	CAMAMC630JEN1LLLF	CAMAMC630JEN1LLLF	00
APPR	MCW	6/10/2024	SCALE	1:1	SHEET	1 OF 1
	KM	6/10/2024				