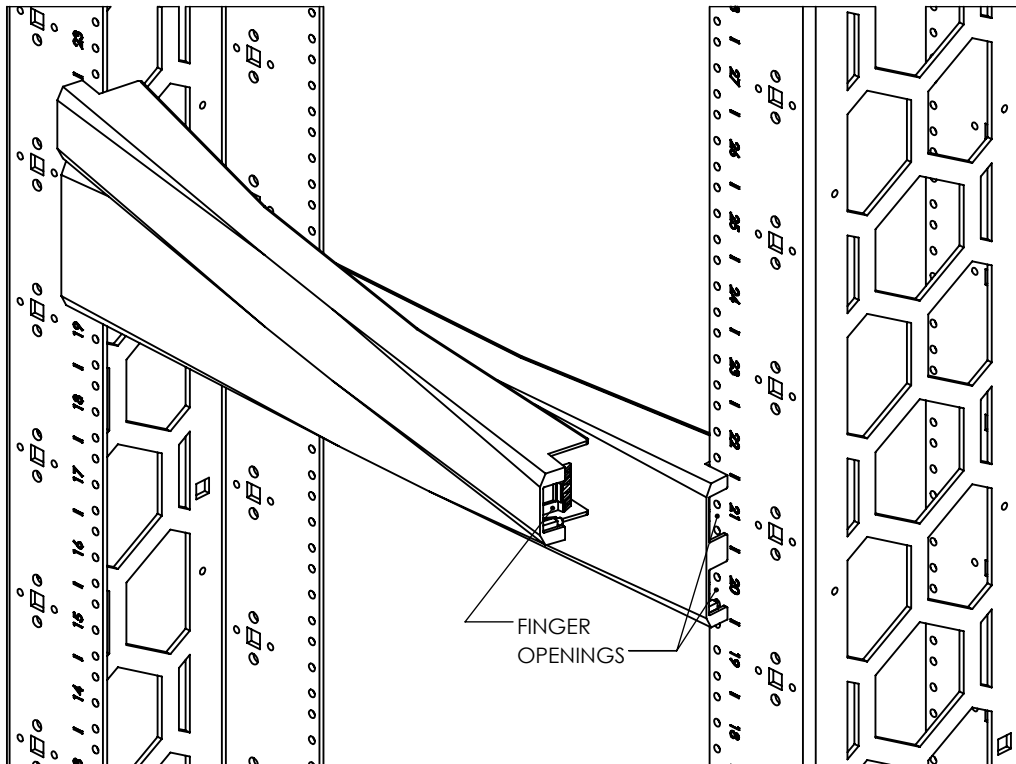


TO INSTALL A TOOL LESS HORIZONTAL BLANKING PANEL:

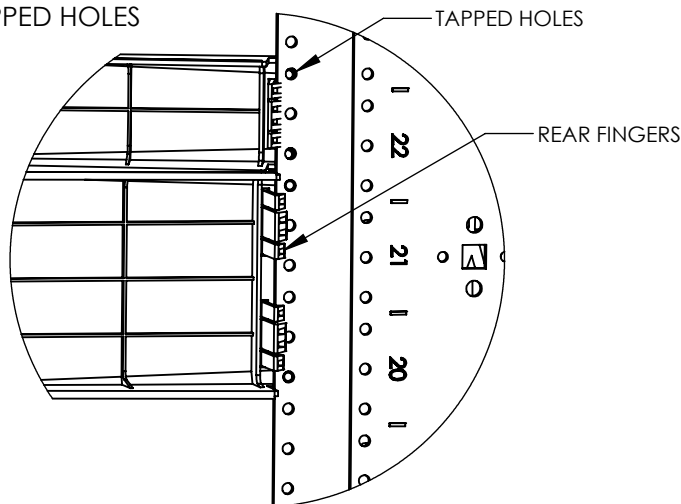
1. ENGAGE ONE SIDE FIRST ONTO A RACK RAIL
2. ALIGN WITH A RACK UNIT
3. NOW ROTATE AND "SNAP" THE OPPOSITE SIDE ONTO THE OPPOSITE RACK RAIL
4. SHOULD HEAR 2 "CLICKS"



TO UNINSTALL:
SLIDE FINGER/S INTO FINGER OPENINGS ON ONE SIDE OF MANAGER AND PULL OUTWARDS.

TAPPED RAILS:

WHEN THE PANEL IS FULLY ENGAGED, THE REAR FINGERS WILL BE HOOKED AROUND BOTH RACK RAILS AND THE ROUND PEGS WILL BE SEATED IN THE TAPPED HOLES



SQUARE HOLE RAILS:

RECTANGULAR EDGES ENGAGE FLATS IN CUTOUTS

