

# WIRELESS MANAGER

EN-WM-ZB-X

 Ceiling Tile Mount or  
Wall Mount


Wireless Range: 30.5 m (100 ft) line of sight, 15.2 m (50 ft) standard walls

## DESCRIPTION

The Wattstopper PLUS Wireless Manager is the central intelligence point in the system for wireless devices. It collects information from photo sensors, occupancy sensors and wallstations to enable multiple lighting control strategies. It then determines appropriate brightness levels or ON/OFF status for each luminaire and zone.

The Wireless Manager communicates via a mesh network. Each Manager must be connected to an Ethernet (PoE) Network Switch using standard Cat-5 or greater Ethernet data cabling. Wireless Managers typically control individual floors and are linked via an Ethernet Network back to the lighting control network.

## FEATURES

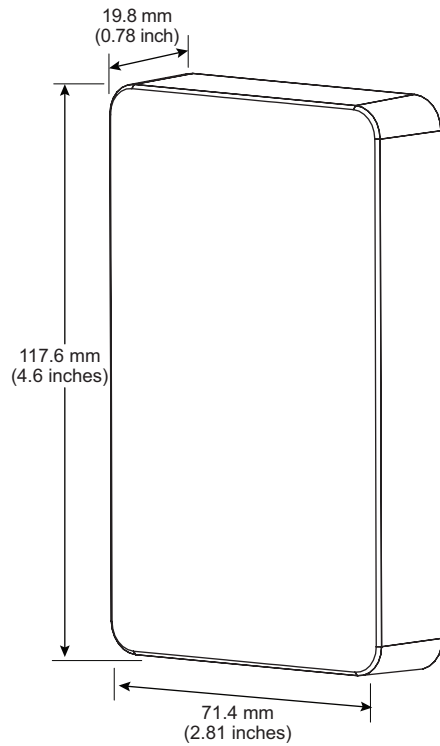
- Control up to 100 wireless devices in a space
- Sleek a design with simple mounting for ceilings or walls
- Can be combined with the Wattstopper PLUS Wired Manager for a combined wired and wireless hybrid solution
- Simple connection by Power-over-Ethernet (PoE) with Dual PoE ports for daisy-chaining Wireless Managers. Up to 3 Wireless managers can be daisy chained per network run.

## SPECIFICATIONS

- Voltage: 48VDC, via Power over Ethernet (PoE)
- Maximum Power Consumption: 5W
- Wireless Range: 30 m (100 ft) line of sight, 15.2 m (50 ft) through standard walls
- Radio
  - Frequency Range: 2405-2480 MHz
  - Channel Space: 5MHz
  - Modulation Type: O-QPSK
  - Transmit Power: 13.40dBm EIRP (max)
- Operating Temperature 32° to 104°F (0° to 40°C)
- Weight: 110 g (3.9 oz)
- Certifications
  - UL/cUL Listed, Energy Management Equipment (UL 916)
  - UL 2043 plenum rated
  - CE
  - FCC Part 15/ICES-003, Class B
- 5 year warranty

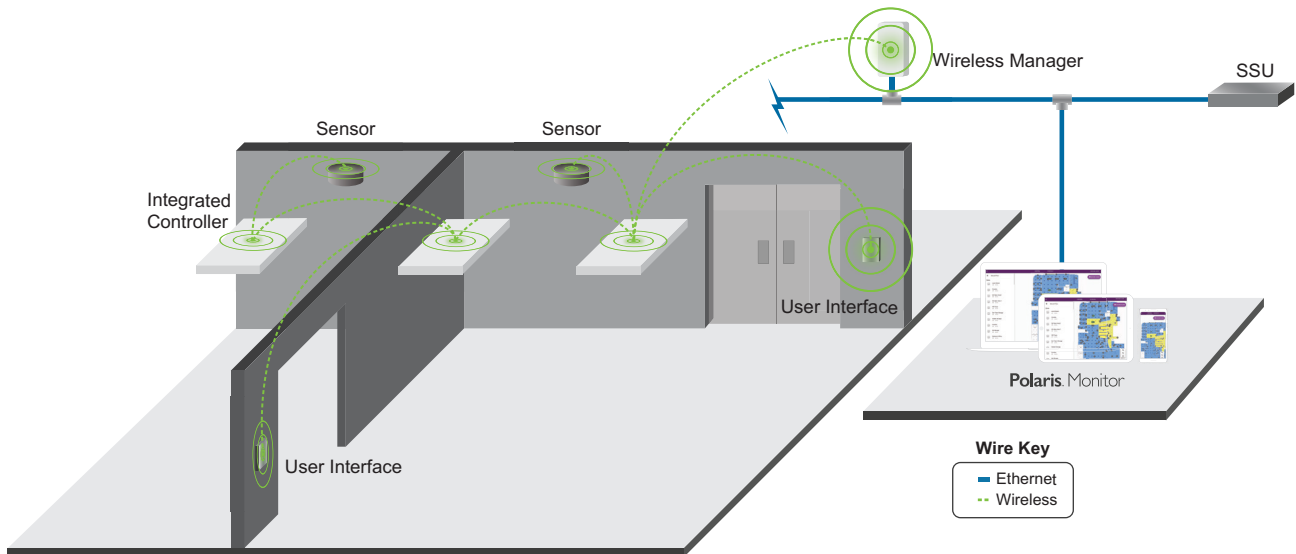
PROJECT		LOCATION/ TYPE	
---------	--	-------------------	--

## DIMENSIONS



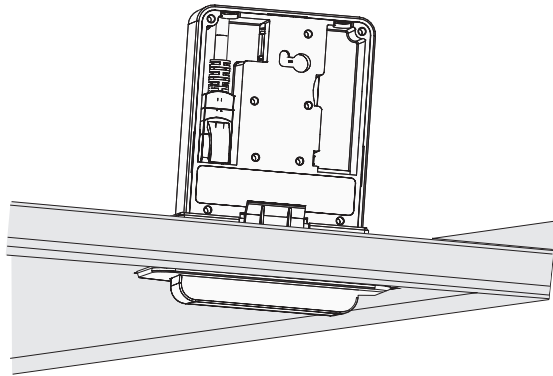
## SYSTEM OVERVIEW

This illustration shows how each component is easily integrated into the Wattstopper PLUS System.

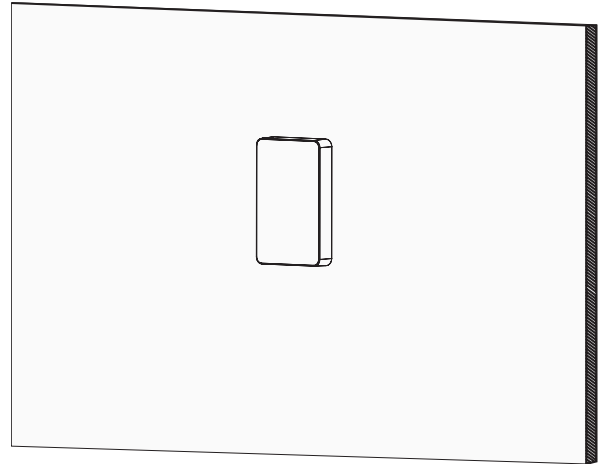


**MOUNTING**

**Ceiling Tile Mount**

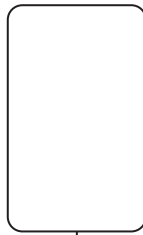


**Wall Mount**



**WIRING**

**Wireless Manager**



PoE

Maximum cable length 100m (328 ft)

**ORDERING INFORMATION**

Catalog #	Description	Communication Network
■ EN-WM-ZB-X	Wattstopper PLUS Wireless Manager	Wireless
■ EN-WM-ZB-P3D	Wattstopper PLUS Extend Wireless Manager	Wireless