



WSP61D1PS



WPPA1G1PS

## Durable Solutions: Built Tough to Promote User Safety

### WSP/WPP SERIES

One piece heavy steel wall plates offered in 10 and 14 gauge are the ideal solution for behavioral health facilities as well as correctional facilities. The ligature resistant construction coupled with painted cold rolled steel or brushed stainless options provides a unique blend of features when security is a key priority. Traditional mounting is also available with backplate as well as pour in place concrete solutions.

## Features & Benefits

### Robust Design

- Available in 10 & 14 gauge painted cold roll steel (white or Ivory) as well as 14 gauge painted stainless steel and brushed stainless steel.

### Versatile Product

- Available in 1-3 gangs and a wide range of device openings. Blank, Duplex, decorator, round opening and a toggle.

### Fastening Options

- Fasten the wall plates with either an allen head with center pin or a torx T-20 head with center pin.

### Wall Plate Mounting

- Two solutions for installing these wall plates with an 11 gauge galvanized steel plate. Pick between a surface mounted solution or a pour in place on a junction box.

### Safety

- Back plate mounted ground wire lead to ensure a proper code compliant solution to UL 514D and NFPA 70.

### Stand Alone Solution

- Industry leading combinations to meet the customers everyday needs.
- For recessed mount or pour in place junction boxes.
- Single, double or triple gang.
- Ligature resistant construction.

## Specifications

- **COVER PLATE:** One-piece heavy gauge prime grade material as specified – see ordering information. Die formed with four countersunk holes for security fasteners.
- **BACKPLATE:** Prime grade 11-gauge galvanized steel.
- **FASTENERS:** Flat head Torx® hardened security screws. See Ordering Information for additional options.
- **FINISH:** White TGIC polyester powder coat – 5-stage pre-treatment. Salt spray test: 1,000 hours; Reflectance: 92%. See ordering information for additional finish options.
- **LISTINGS:** UL and CUL listed.

Electrical devices and junction boxes supplied by others.  
Ligature Resistant construction.

## Compliance



Ligature Resistance, Complies with domestic preference legislation, such as the Buy American Act (BAA), Trade Agreement Act (TAA), Build America, Buy America Act (BABA), and others.



## Technical Information

### Performance

Back Plate	Prime grade 11-gauge galvanized steel with back plate mounted ground wire lead
Cover Plate	10 & 14 gauge plates (cold roll steel or stainless steel)
Fasteners	Flat head Torx hardened security screws and Allen heads
Finish	White or Ivory TGIC polyester powder coat 5-stage pre-treatment.
Salt Spray Test	1,000 hours
Reflectance	92%
(N91) Single Round Receptacle	1.5938 hole for 1.5625 dia. device

**Warranty:** 1 year

### Specifications

Security wall surface mount and wall pour-in-place plates shall have the following features:

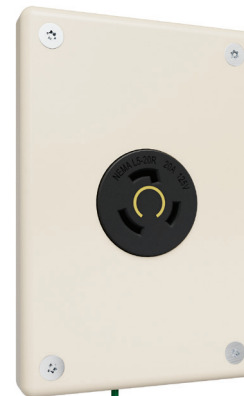
**Wall Plate:** Die-formed painted 10- or 14-gauge cold rolled steel or 14-gauge painted or brushed finish stainless steel with four countersunk holes for security fasteners. Painted wall plates have a 5-stage pretreatment TGIC polyester powder coat finish. Salt spray tested for 1,000 hours. Reflectance: 92%.

**Back Plate:** Prime grade 11-gauge galvanized steel with back plate mounted ground wire lead. UL and cUL listed to UL 514D and NFPA 70 compliant.

**Fasteners:** Flat head Torx hardened steel security screws or Allen head screws with center pin.



**WSP31D1IVYPS**



**WSPA1N912IVYPS**



**WSP02B2IVYPS**

**Ordering Information (Ex: WSPA1N911IVYPS)**

Model	Material	Gang Size	Devices	Wall Plate Style	Fasteners	Option	Manufacturer
<b>WSP</b>	<b>A</b>	<b>1</b>	<b>N</b>	<b>91</b>	<b>1</b>	<b>IVY</b>	<b>PS</b>

**Model**  
**WSP** Wall Surface Mount Plate  
**WPP** Wall Pour-in-Place Plate

**Gang Size**  
**1** Single Gang (1 Device Max.)  
**2** Double Gang (2 Devices Max.)  
**3** Triple Gang (3 Devices Max.)

**Wall Plate Style**  
**91** 1.5938 hole for 1.5625 dia. device

**Manufacturer**  
**PS** Pass & Seymour

**Material**  
**A** 10-Ga CRS (Painted)  
**0** 14-Ga CRS (Painted)  
**3** 14-Ga SS (Painted)  
**6** 14-Ga SS (Brushed)

**Devices**  
**B** Blank  
**D** Duplex Opening  
**G** Decorator Opening  
**N\*** Single Round Receptacle  
**S** Switch (Toggle)

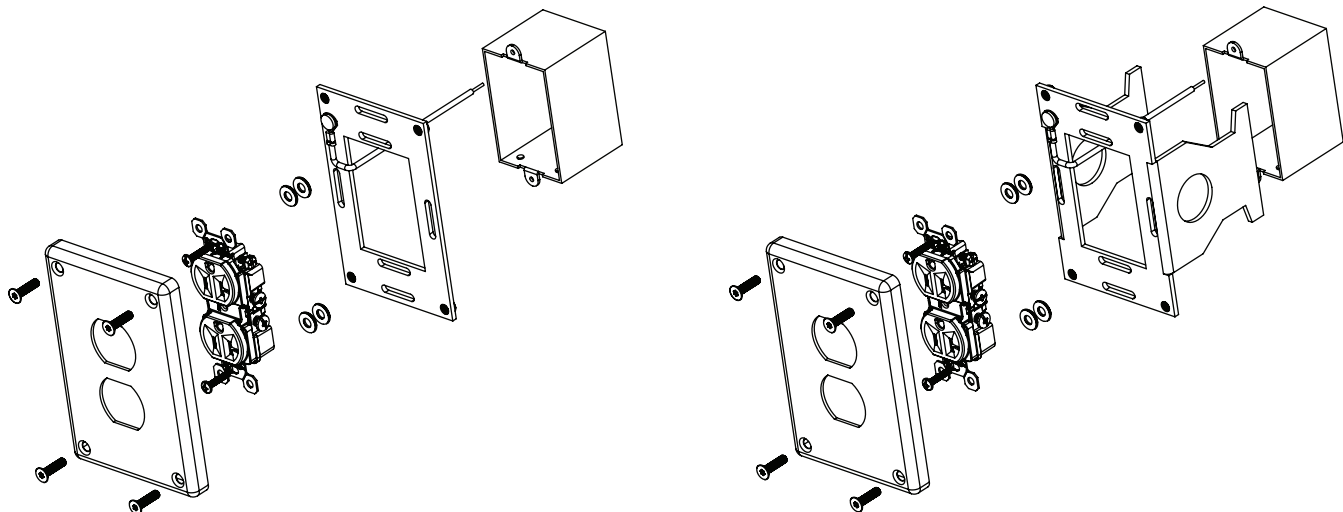
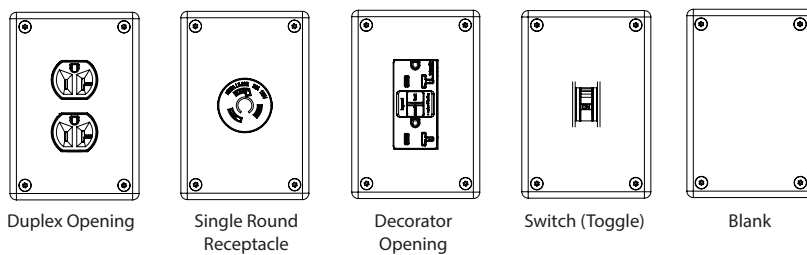
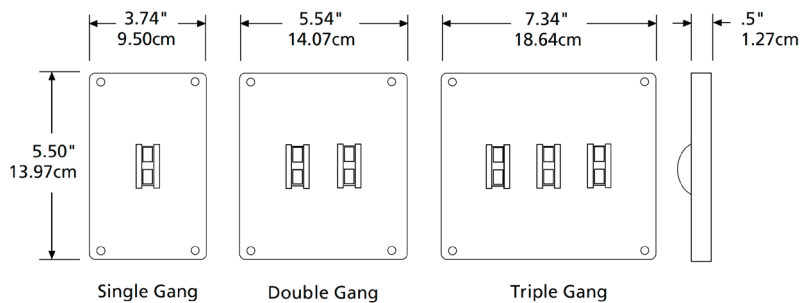
**Fasteners**  
**1** Torx® T-20 Head w/ Center Pin  
**2** Allen Head w/Center Pin

**Accessories For Order**  
**D0418PS** Torx® Screwdriver  
**D0377PS** Allen Head Screwdriver

**Option**  
 (Leave blank for standard white or brushed finish)  
**IVY** Ivory Color

\*When selecting an N to add 91 from wall plate style

**Dimensional Data**



---

## Vertical Markets/Applications

- Behavioral Health
- Sally Ports
- Correctional Facilities
- Corridors
- Dayrooms, Cells, Recreational, Cafeterias (Correctional)

---

All brand and product names referenced in this document are registered trademarks or trademarks of their respective holders.



**Legrand, North America**  
60 Woodlawn Street  
West Hartford, CT 06110  
1-877-295-3472  
[www.legrand.us](http://www.legrand.us)

**Canada**  
1-844-977-3783  
[www.legrand.ca](http://www.legrand.ca)

FOLLOW US

