

TABLE OF CONTENTS

- 1.0 GENERAL
- 2.0 TOOLS REQUIRED FOR ASSEMBLY
- 3.0 COMPONENTS AND HARDWARE PROVIDED WITH THE RACK MOUNT FIBER ENCLOSURE
- 4.0 ACCESSORIES PURCHASED SEPERATELY
- 5.0 ENCLOSURE ASSEMBLY
- 6.0 INSTALLATION OF ACCESSORIES
- 7.0 CABLE ROUTING AND INSTALLATION

1.0 GENERAL

This document describes the assembly procedure for the LEGRAND Patch and Splice Rack Mount Enclosures. Part numbers EQ02U-CHC (2 Rack Unit), EQ04U-CVC (4 Rack Unit), EQ02U-KHC (2 Rack Unit HD), EQ04U-KHC (4 Rack Unit HD), EQ02U-KHL-M (2 Magnesium Rack Unit HD), EQ04U-KHL-M (4 Magnesium Rack Unit HD). Hardware is provided for mounting 19" racks.

2.0 TOOLS REQUIRED FOR ASSEMBLY

- 2.1) #2 Phillips Head Screwdriver – required for enclosure assembly
- 2.2) #3 Phillips Head Screwdriver – required to mount the enclosure to the rack

3.0 COMPONENTS AND HARDWARE PROVIDED WITH THE RACK MOUNT FIBER ENCLOSURE

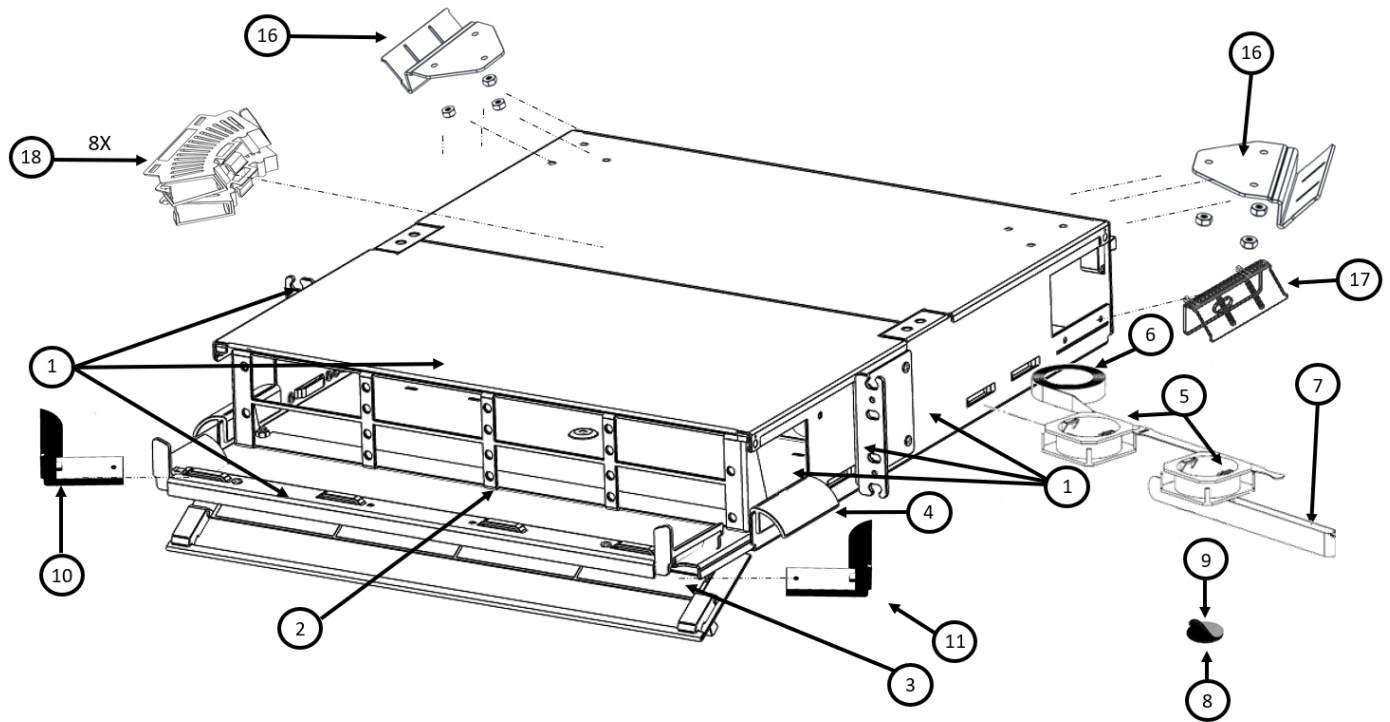
ITEM #	DESCRIPTION	PART NUMBER	QTY. 2U	QTY. 4U
1	Enclosure, Tray and Mounting Brackets, 2 Rack Unit	EQ02U-CHC	1	-
	Enclosure, Tray and Mounting Brackets, 4 Rack Unit	EQ04U-CVC	-	1
	Enclosure, Tray and Mounting Brackets, 2 Rack Unit, HD	EQ02U-KHC	1	-
	Enclosure, Tray and Mounting Brackets, 4 Rack Unit, HD	EQ04U-KHC	-	1
	Enclosure, Tray and Mounting Brackets, 2 Rack Unit, HD, Magnesium	EQ02U-KHL-M	1	-
	Enclosure, Tray and Mounting Brackets, 4 Rack Unit, HD, Magnesium	EQ04U-KHL-M	-	1
2*	Drawer Face, 2 Rack Unit	41400024-00	1	-
	Drawer Face, 4 Rack Unit	41400007-00	-	1
	Drawer Face, 2 Rack Unit, HD	41400931	1	-
	Drawer Face, 4 Rack Unit, HD	41400932	-	1
3*	Port Identification Card, 2 Rack Unit	70400879	1	-
	Port Identification Card, 4 Rack Unit	70400902	-	1
	Port Identification Card, 2 Rack Unit, HD	70401094	1	-
	Port Identification Card, 4 Rack Unit, HD	70401095	-	1
4	Bend Limiter	71200061	2	2
5	Cable Manager, Fiber Spool.	70800327	4	8
6	Straps, Hooks/Loops, Cable Mgt.	70700145	8	8
7	Straps, D-Ring, Hooks/Loops, 18" Long, Cable Mgt.	70700199-00	4	4
8	Loop, Dot, .50 Dia.	70700077	3	3
9	Hook, Dot, .50 Dia.	70700078	3	3

ITEM #	DESCRIPTION	PART NUMBER	QTY. 2U	QTY. 4U
10	Cable Manager, Left	71200062-001	1	1
11	Cable Manager, Right	71200062-002	1	1
12	Washer, lock, #12, External star, phosphor bronze	70100090	1	1
13	Screw 12-24 x .625, PN HD, CMB DRV, ZNC PLT	70100070 / 70100070-59	4	4
14	Screw, machine, #6-32 Unc X .31, Pan HD, CR, Black	70100425	2	2
15	#6-32 screws for Mounting Brackets.		8	8

(*) If item 1 is a 2 or 4 Rack Unit, then items 2 & 3 will be for 2 or 4 Rack Units, etc.

4.0 ACCESSORIES PURCHASED SEPARATELY

ITEM #	DESCRIPTION	PART NUMBER	QTY. 2U	QTY. 4U
16	Strain Relief Bracket, Upper	ECQ-BR	2	2
17	Strain Relief Bracket, Lower	FCBR-003	2	2
18	Kit, Fiber Spool, 8 Pieces	60401185	2	4



5.0 ENCLOSURE ASSEMBLY

5.1) Inspect the package contents before assembling to ensure conformance with the parts listed in Section 3.0, then determine if the accessories listed in Section 4.0, are required.

5.2) The Drawer Face (Item 2) is pre-assembled to the tray at the factory (Figure 1).

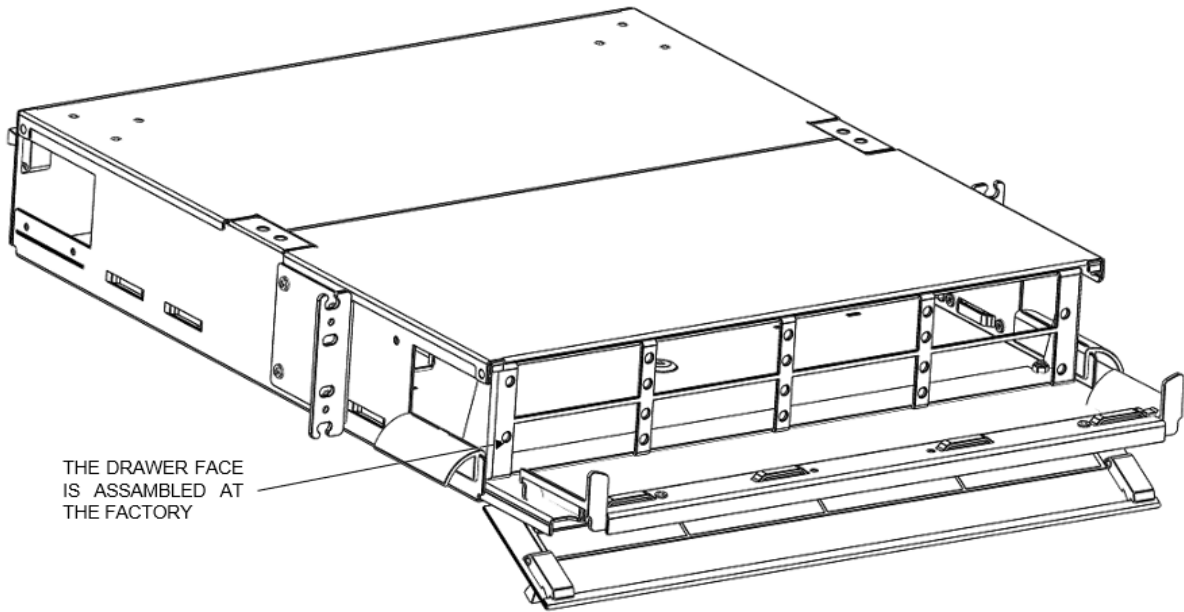


Figure 1

5.3) If your enclosure does not have the mounting brackets factory installed, use a #2 Phillips Head Screwdriver and the screws provided with the enclosure to attach one mounting bracket to each side of the enclosure using the holes provided. Figure 2 illustrates the mounting scheme. An alternate mounting position (Figure 2a) is available for 19" enclosures. To have an enclosure that installs more rearward in racks use the 4-hole pattern closest to the front side of the enclosure.

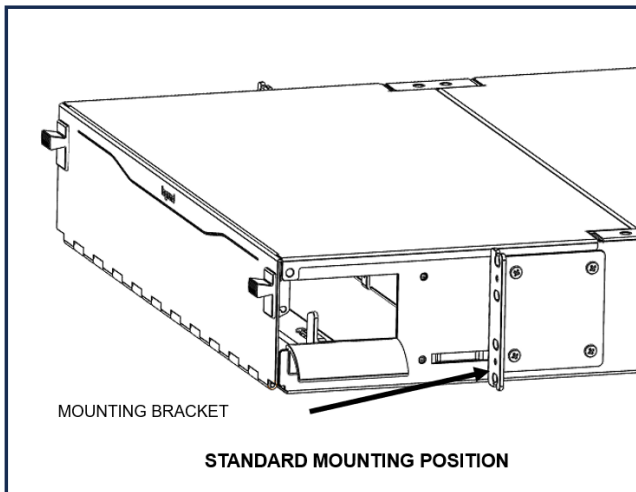


Figure 2

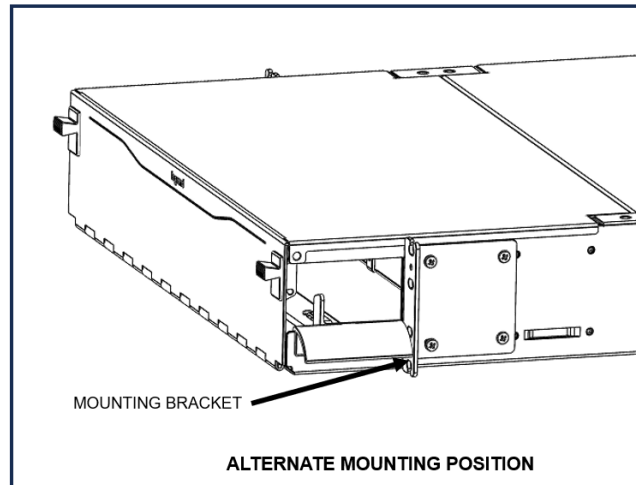


Figure 2a

5.4) Mate each Hook with a Loop dot. Remove protective backing from Hook or Loop and attach to underside of identification label, as required. Remove backing from the remaining side. Put label into place and press against the door to secure, approximately where shown (Figure 3).

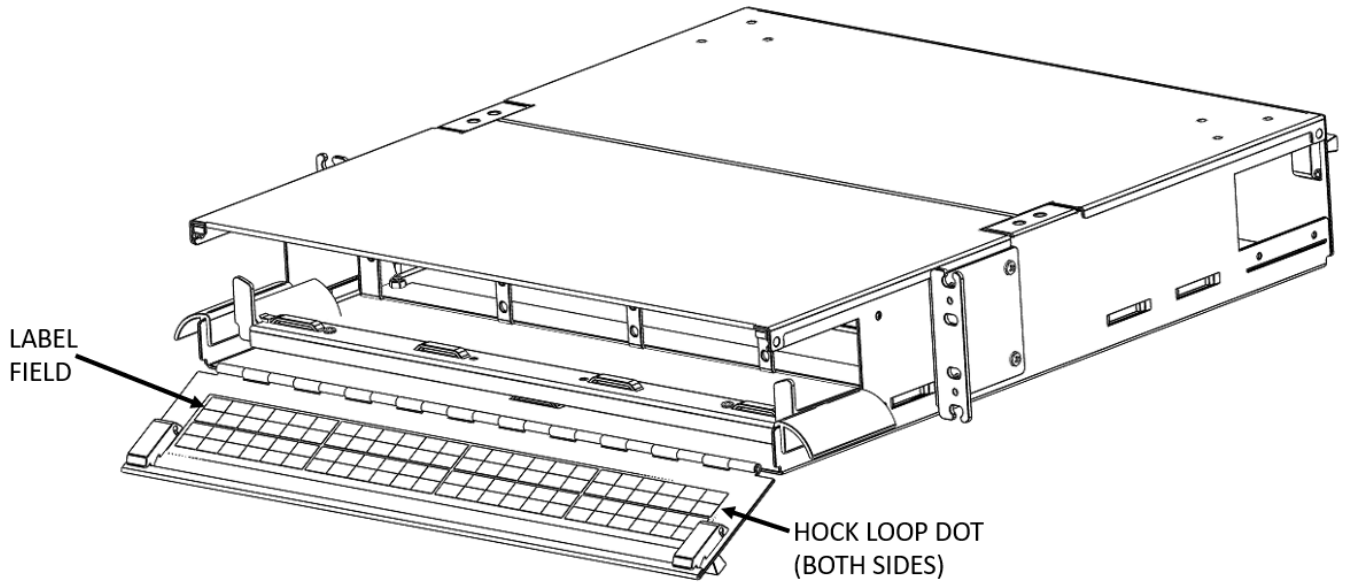


Figure 3

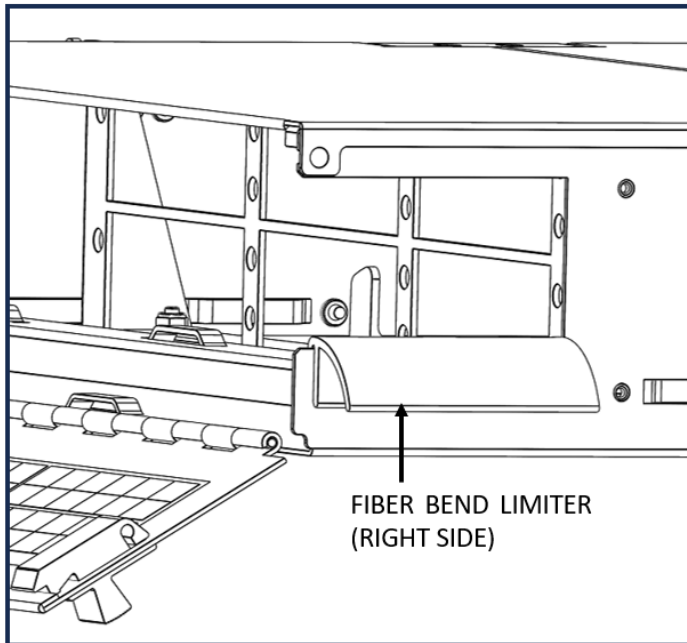


Figure 4

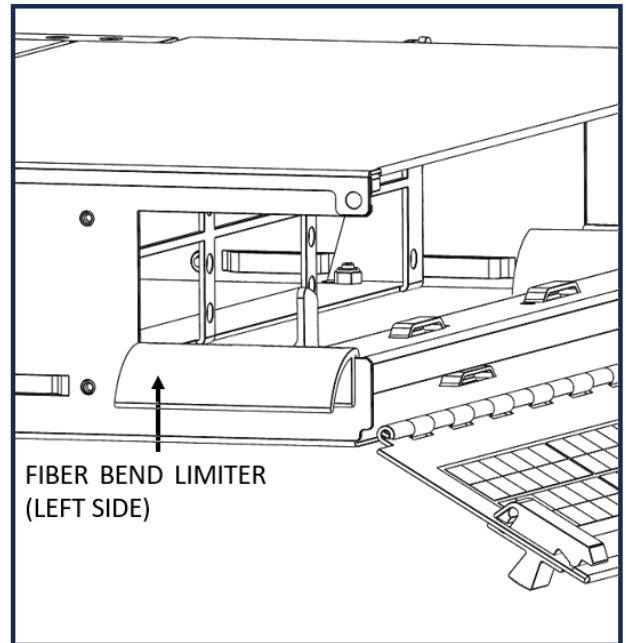


Figure 4a

- 5.5) Attach bend limiters to the enclosure as shown in Figures 4 & 4a (will be provided in black but shown in white for clarity).
5.6) The enclosure is ready to be mounted to the rack using the screws provided, and a #3 Phillips Head Screwdriver.

6.0 INSTALLATION OF ACCESSORIES

The fiber enclosures can support different styles of fiber bend radius control. The 2U & 4U enclosure trays can accept both styles. Figure 5a illustrates the current style and Figure 5b illustrates an alternate style.

6.1) To assemble the fiber manager provided with this enclosure: Attach Fiber Spool Cable Managers to the tray by inserting the (2) snap hook tabs into their mating tray slots then push the part down towards the tray until the snap hooks engage. An audible click will indicate a locked-in position. Follow the same procedure for additional assemblies. The fiber manager is capable of stacking although the enclosure will limit the number of fiber managers in a stack.

6.2) Figure 5a depicts the fiber spools secured to the tray (rear section).

6.3) When required, attach the Upper and/or Lower strain relief brackets to the rear of the enclosure as shown in Figure 6. Threaded studs are provided on the inside surface of the enclosure to accommodate the brackets.

6.4) To install the cable managers (item 10, 11), orient the curved sides to face each other. Place the short tab up and facing towards you as depicted in figure 8. Item 11 is the right-side cable manager. Item 10 is the left side cable manager. To attach them to the tray, place the long tab under the tray and align the holes to the threaded feature. Use the #6-32 screws provided (1) each, to fasten each cable manager. Do not overtighten.

6.5) Repeat steps 5.0 through 5.6 to assemble additional enclosures, and steps 6.0 through 6.4 for installation of accessories.

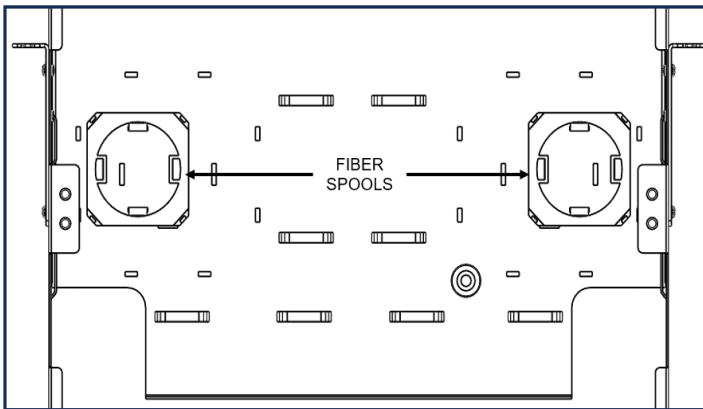


Figure 5a

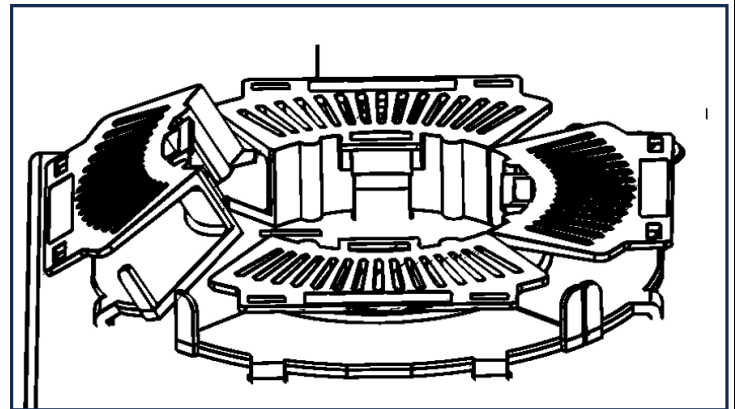


Figure 5b

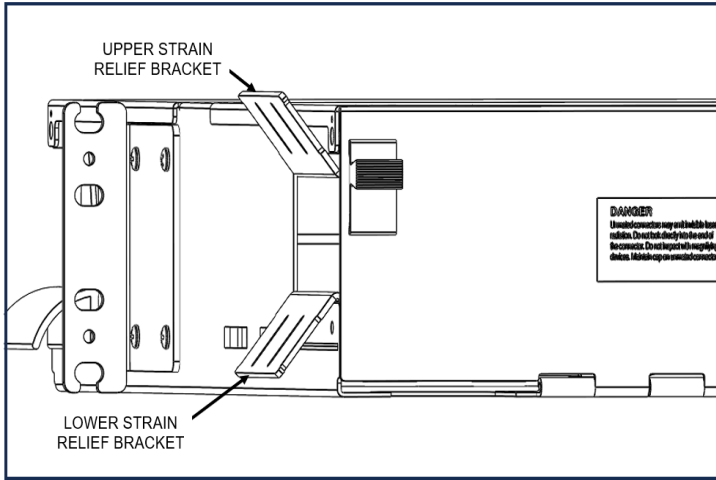


Figure 6

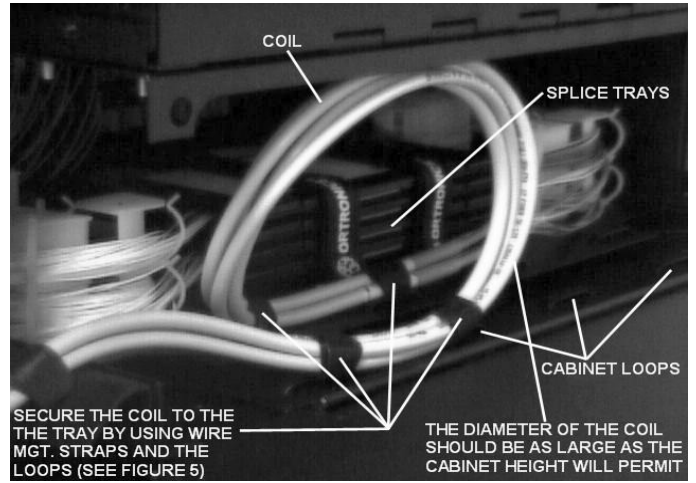


Figure 7

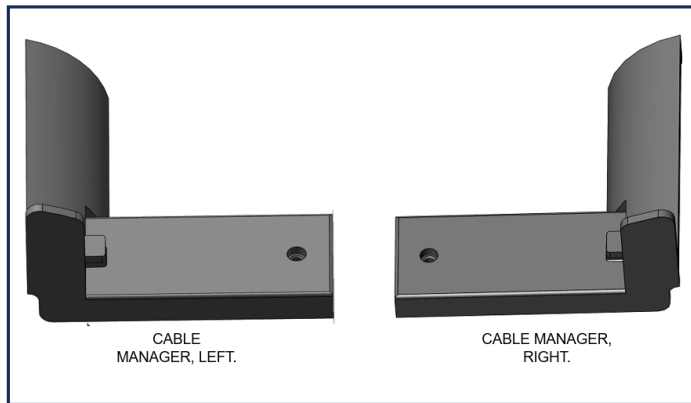


Figure 8

7.0 CABLE ROUTING AND INSTALLATION

7.1) Strip off approximately 1 meter (39 inches) of cable jacket. Trim the central strength member and/or the aramid yarn back to the cable jacket. Terminate connectors (if required) per the manufacturer's instructions.

7.2) With the jacketed portion of the fiber, make a service coil as large as the cabinet height will permit, as shown in Figure 7. The service coil is required to allow the tray to slide out the front of the cabinet freely.

7.3) Secure the outside coil to the cabinet utilizing management straps and the loops provided. Secure the inside coil to the tray utilizing wire management straps and the loops provided.

7.4) An example of a Patch and Splice wiring scheme is depicted in Figure 9.

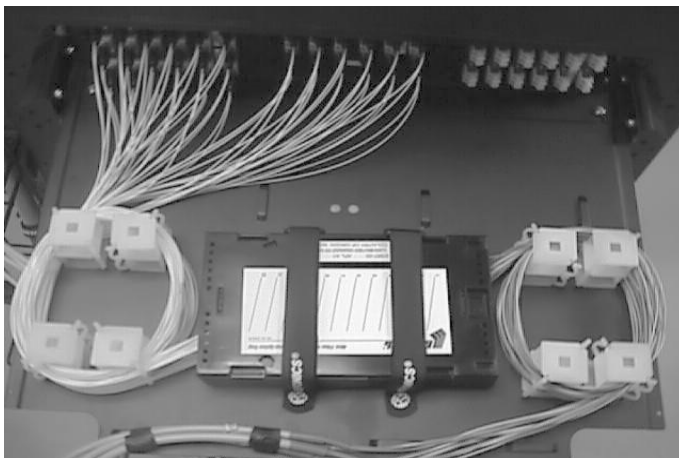


Figure 9

FOR QUESTIONS AND/OR ADDITIONAL INFORMATION, CONTACT LEGRAND AT THE FOLLOWING WEB ADDRESS, OR YOUR MANUFACTURER'S REPRESENTATIVE.

WWW.LEGRAND.US