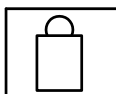
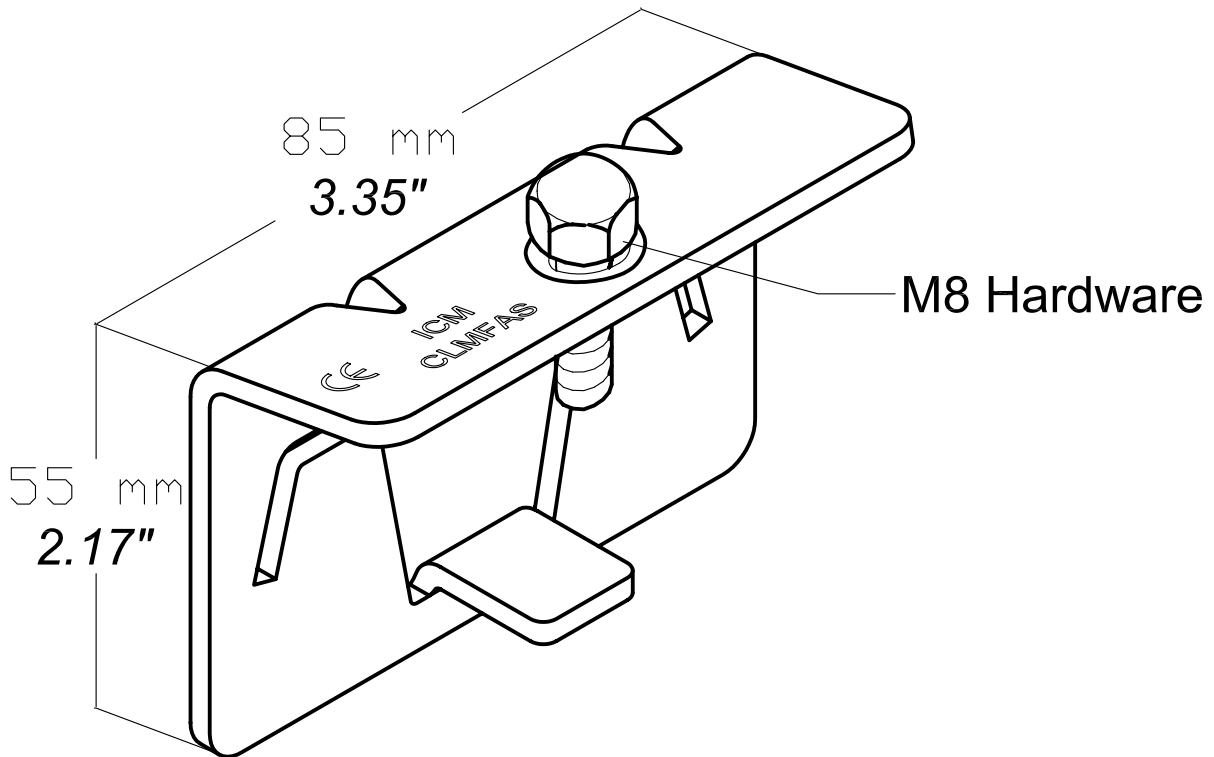
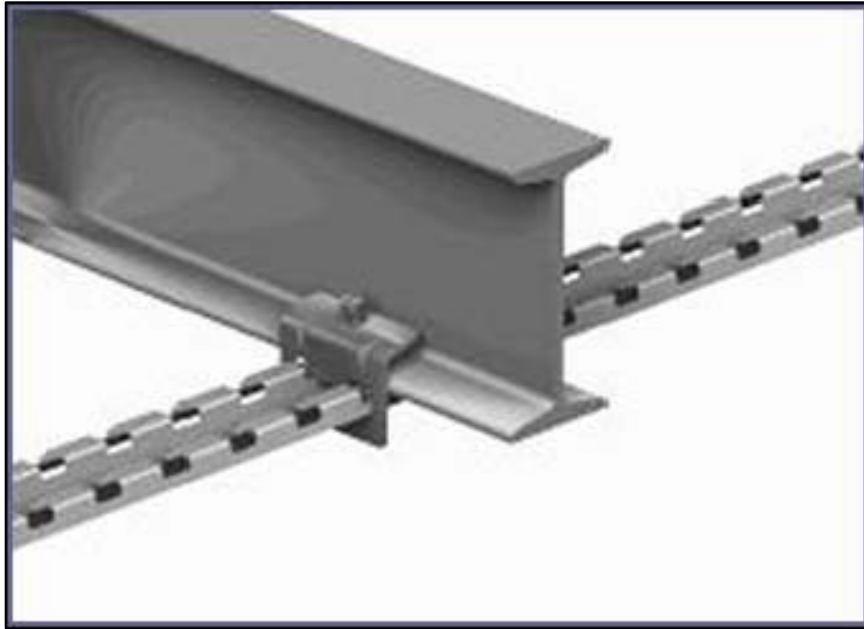


# FASCLM FASP Beam Clamp Kit

# CABLOFIL®

INNOVATORS IN CABLE MANAGEMENT

8319 State Route 4  
Mascoutah IL 62258  
Phone: 800-658-4641  
618-566-3230  
Fax: 618-566-3250  
[www.cablofil.com](http://www.cablofil.com)



lb

FASCLM KIT

0.858

PG

DC

316L

Kit Contains 2 Clamps  
with Hardware