

## CABLOFIL<sup>®</sup> BOX BRACKETS – Components to Make Pre-Fabrication Easy!

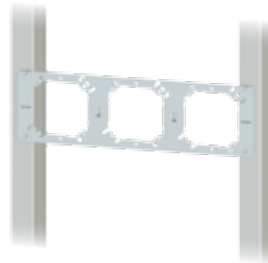
Versatile box brackets for every application. Cablofil<sup>®</sup> box brackets are available for walls, floors and for concrete block walls. Easy to use components make prefabrication of electrical assemblies for branch circuit wiring simple and cost effective. Cablofil box brackets in many cases are adjustable to fit multiple wall thicknesses and depths reducing the number of parts needed on the jobsite. Making Cablofil box brackets the perfect choice for projects with tight schedules.

### FEATURES

- Each component is designed to install quickly without modification and with simple attachment hardware
- Components are pre-galvanized for interior applications
- For use with 4" square and 4-11/16" boxes



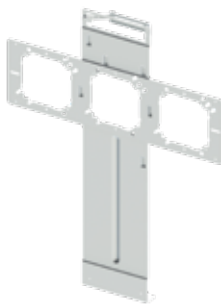
TELESCOPING BOX BRACKETS



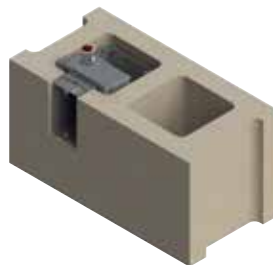
WALL BRACKETS



CEILING BRACKETS



FLOOR BRACKETS



CONCRETE WALL BRACKETS



PLASTER RINGS

## Versatility for any location.

### TELESCOPING BOX BRACKETS

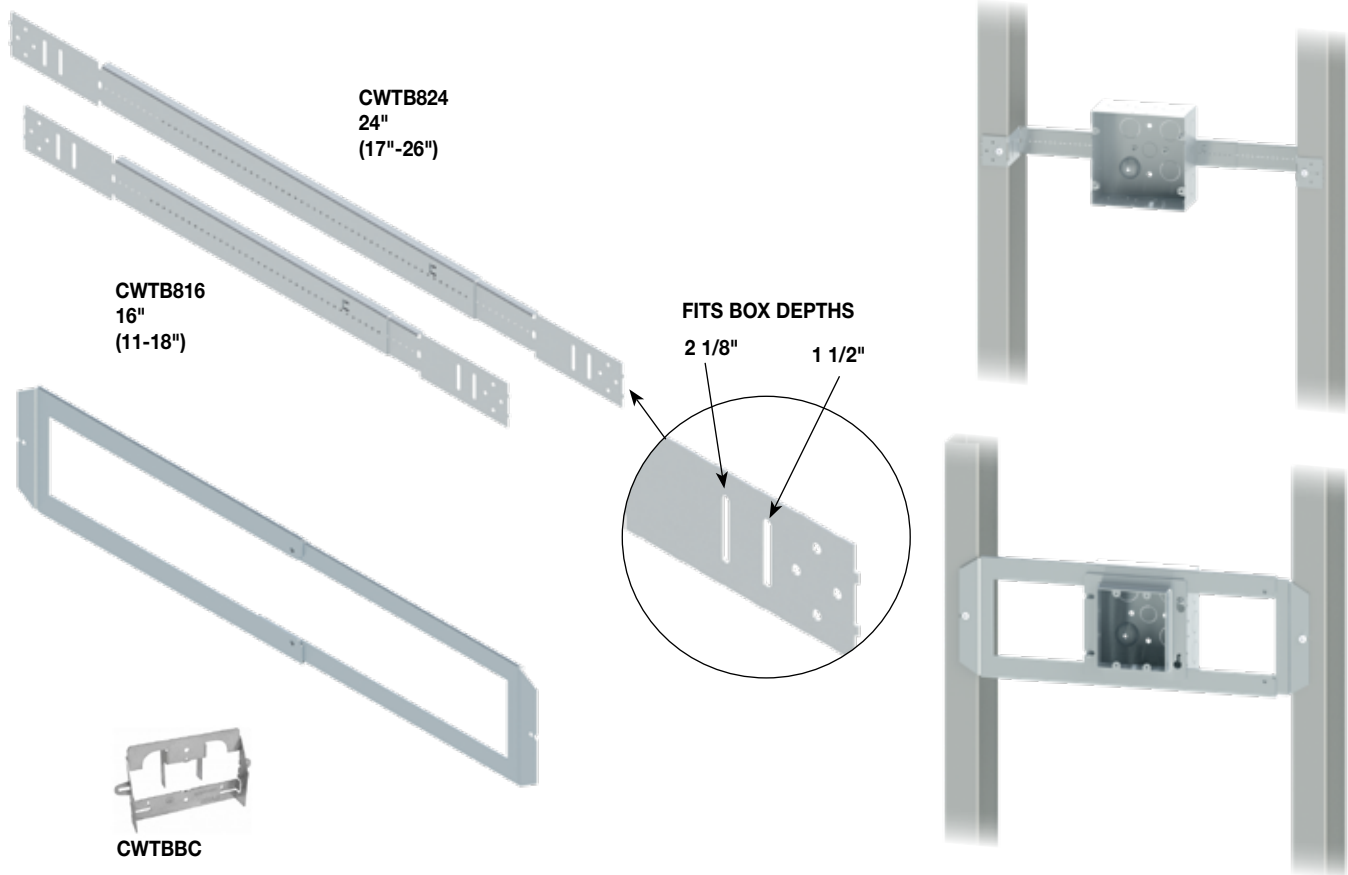
Available in two sizes, this sturdy bracket can be used for mounting boxes or for cable support. Openings allow for easy box mounting and mounting to the stud. End tabs easily fold to fit multiple box depths. The length is locked into place when the box is mounted using two screws (not supplied). These brackets offer offsets of 1-1/2" and 2-1/8".

### TELESCOPING BOX SUPPORT

For heavier loads or multiple box placements, this support is the answer. Fits 16" to 24" stud placements and anything in between – no cutting or field fabrication is needed. Any 4-11/16" box mounts from the back and is secured when the plaster ring is attached from the front side. Side-to-side adjustment is easy after mounting.

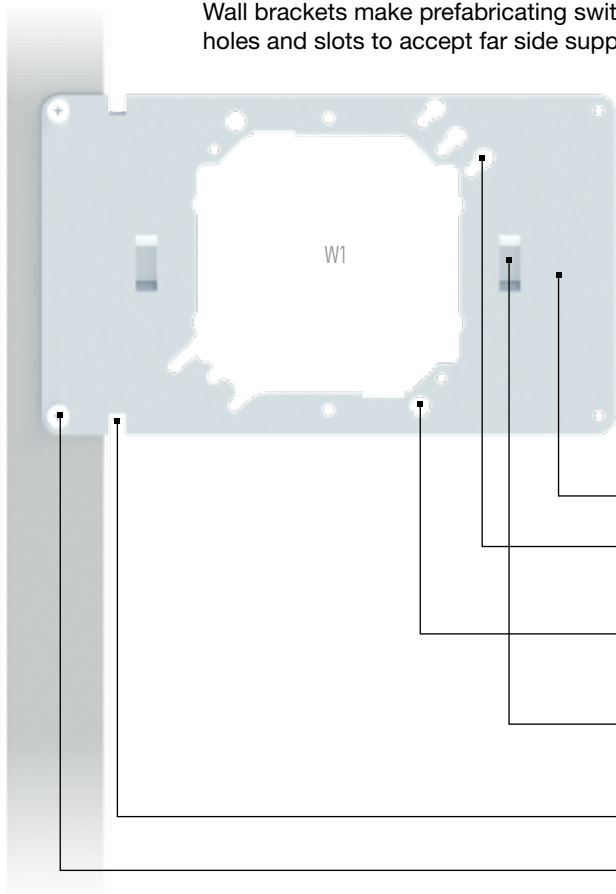
### ADJUSTABLE SLIDER BRACKET

Attaches to slider bracket for ease of repositioning of electrical boxes. Allows closer installation of multiple electrical boxes between studs. Ideal for pre-fab assemblies.



TELESCOPING BOX BRACKETS									
	DESCRIPTION	PKG QTY	MIN LENGTH		MAX LENGTH		PKG WEIGHT		PG
			IN	MM	IN	MM	LBS	KG	
<b>CWTBB16</b>	Telescoping Box Bracket	50	11	270	18	450	25	55	F000065
<b>CWTBB24</b>	Telescoping Box Bracket	50	17	430	26	660	33	73	F000066
<b>CWTBB</b>	Telescoping Support Bracket	25	16	400	27	685	20	44	F000067
<b>CWTBBC</b>	Slider Bracket	50					8.2	3.718	F002161

Wall brackets make prefabricating switch and outlet assemblies easy. The design includes mounting holes and slots to accept far side supports (sold separately).



**Construction:** 18 gage pre-galvanized steel. UL Listed.

**Prefabrication:** The design accepts 4" and 5" plaster rings and 4", 4-11/16" and 5" square boxes mounted horizontally or vertically.

**Installation:** Pre-drilled holes are provided for attachment screws to the studs. Far Side Support Arms attach to the back of the bracket to support the assembly against the wall behind. No attachment hardware is needed.

**Symmetrical design allows simpler and easier prefab**

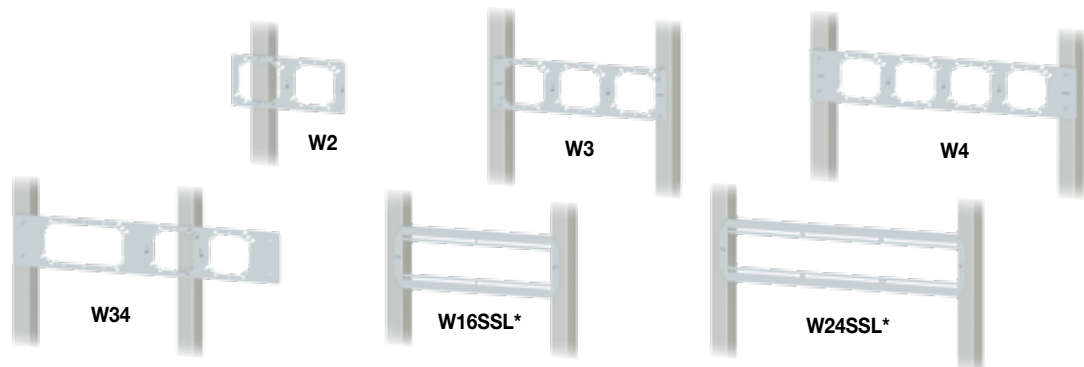
**Keyhole Openings allow 4", 4-11/16" and 5" x 2-1/8" boxes to remain attached when plaster ring is removed**

**Counter Sunk Box Attachment Holes for 4-11/16" x 2-1/8" boxes allow 4" rings to be mounted independently**

**Support Arms are attached to the back of the bracket using the two slots provided**

**Stud alignment tabs - (W1, W34, W4 only)**

**Wall Bracket attachment holes**



- Wall brackets accept 4" and 5" plaster rings and 4", 4-11/16" and 5" square boxes mounted horizontally or vertically.
- Keyhole openings allow 4", 4-11/16" and 5" x 2-1/8" boxes to be mounted independently.
- Pre-drilled for attachment with screws to the studs.
- Built-in slots accept supports arms to brace the assembly against the wall behind. (sold separately)
- Sliding wall brackets with infinite box positioning are available for 16" to 24" stud widths.
- UL Listed.



WALL BRACKETS						
	OPENINGS	HEIGHT		WIDTH		PG
		IN	MM	IN	MM	
<b>W1</b>	1	5	125	8.5	215	FP211097
<b>W2</b>	2	5	125	11	280	FP211101
<b>W3</b>	3	5	125	16.75	425	FP211103
<b>W4</b>	4	5	125	26	660	FP211105
<b>W34</b>	3	5	125	26	660	FP211104
<b>W16SSL*</b>	16" Slider	6	150	16.75	425	FP211100
<b>W24SSL*</b>	24" Slider	6	150	26	660	FP211102

\* 16" and 24" slider brackets allow electrical boxes to be adjusted horizontally

## Wall Bracket Accessories

### FIXED DEPTH SUPPORT ARMS

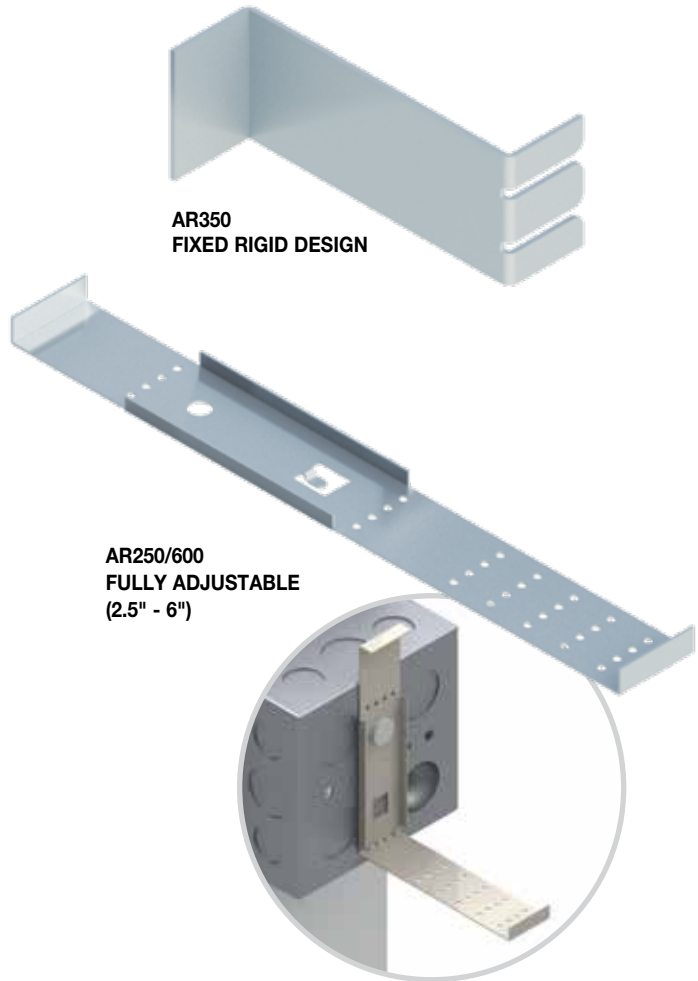
The FAS Power line includes 8 far side support arms for 2½" depth to 6½" walls. Each snap easily onto any of our floor or wall brackets.

**Construction:** 18 gage pre-galvanized steel

### ADJUSTABLE SUPPORT ARM

The Adjustable Far Side Support Arm is perforated to make it easy to fit any sized wall depth to stabilize FAS Power Floor and Wall brackets. Just use a pliers to adjust. The AR250/600 fits wall depths from 2½" to 6" and reduces engineering time for job sites with varied stud sizes and wall depths. AR250/600 works with 21/8" boxes on ly.

**Construction:** 18 gage pre-galvanized steel

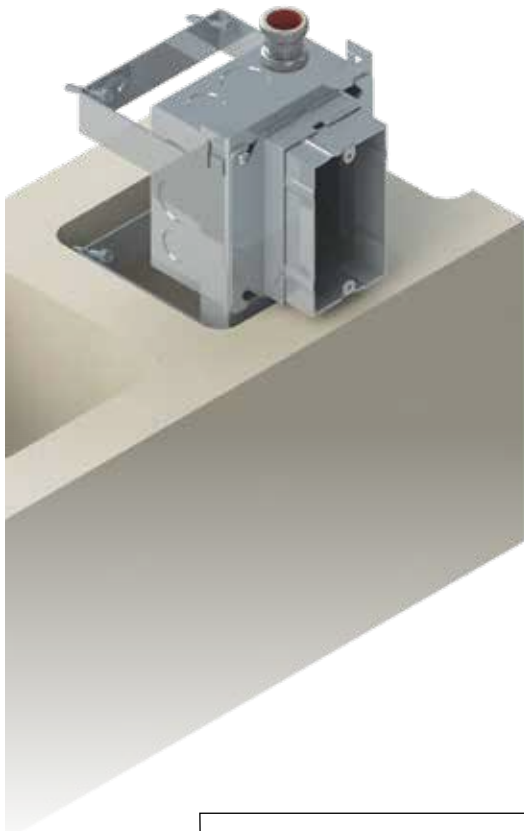


**AR350**  
FIXED RIGID DESIGN

**AR250/600**  
FULLY ADJUSTABLE  
(2.5" - 6")

SUPPORT ARMS		
	WALL DEPTH	PG
	INCHES	
<b>AR250</b>	2.5	FP211040
<b>AR300</b>	3	FP211041
<b>AR350</b>	3.5	FP211042
<b>AR400</b>	4	FP211043
<b>AR450</b>	4.5	FP211044
<b>AR500</b>	5	FP211045
<b>AR600</b>	6	FP211048
<b>AR650</b>	6.5	FP211049
<b>AR250/600</b>	2.5-6	FP211055

**Designed for the challenges of concrete block walls.**

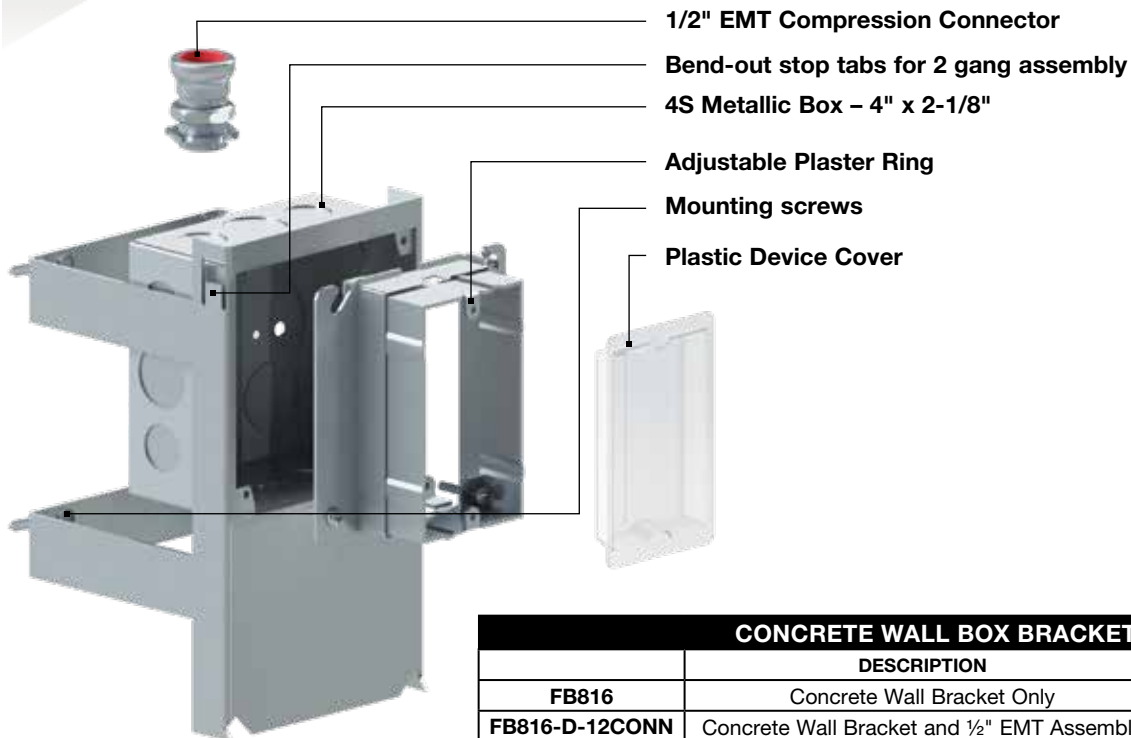


Box placement can be difficult when building concrete block walls, but the FB816 bracket keeps all wall boxes correctly placed during construction. The FB816 is a special bracket that can be securely mounted into the block cavity keeping the box in place while the mortar dries. Pre-assemble the bracket, box, plaster ring and conduit at rough in, and the assembly will stay perfectly in place.

**Construction:** 18 gage pre-galvanized steel.  
**ETL Listed. Patented design.**

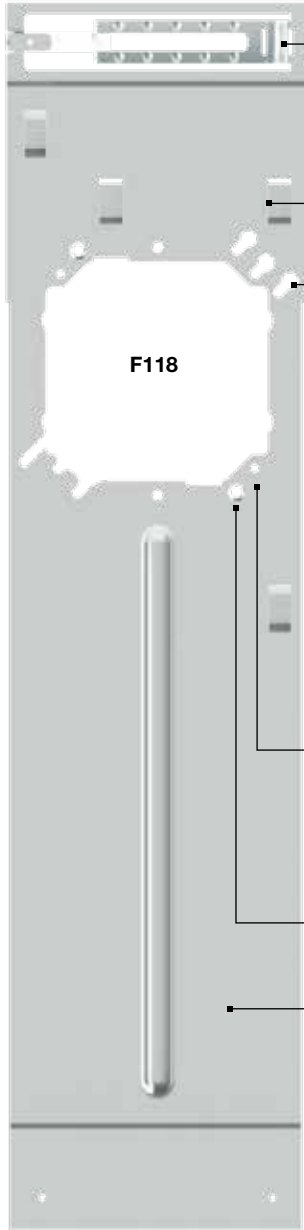
**Prefabrication:** Designed to hold a  
**4" x 2-1/8" metallic box.**

**Installation:** Pre-drilled holes are provided for mounting box and plaster ring attachment. After cutting the proper sized opening in the concrete block, position the assembly and tighten mounting screws within the block cavity to keep assembly in place during joint hardening process. All mounting hardware is included.



CONCRETE WALL BOX BRACKET			
	DESCRIPTION	PKG QTY	PG
<b>FB816</b>	Concrete Wall Bracket Only	1	FP271884
<b>FB816-D-12CONN</b>	Concrete Wall Bracket and 1/2" EMT Assembly	1	FP003697
<b>FB816-D-34CONN</b>	Concrete Wall Bracket and 3/4" EMT Assembly	1	FP003698
<b>FB816-D-1CONN</b>	Concrete Wall Bracket and 1" EMT Assembly	1	FP003699

## Sizes to fit any project.



Cablofil floor brackets make it easy to prefabricate electrical assemblies for branch circuit wiring. It features an innovative built-in wire manager and it manages multiple-sized MC cable types so no attachment to the stud needed. The design permits fast installation anywhere between studs and ensures correct device mounting height without measuring. Other design features include predrilled mounting holes in the base and slots to accept far side supports (sold separately).

**Construction:** 18 gauge pre-galvanized steel. UL Listed.

**Prefabrication:** The design accepts 4" and 5" plaster rings and 4" and 4-11/16" square boxes mounted horizontally or vertically. A wire manager is built into the design of the base. Just detach, make a few bends with a pliers and slide in place.

**Installation:** The Floor Bracket is installed by kicking the lower flange under the wall plate. Two holes are provided for attachment screws if needed. Far Side Support Arms attach to the back of the bracket to support the assembly against the wall behind. No attachment hardware is needed.

Built-in Cable retaining feature accepts up to 6 MC cables

Support Arms attach to the back of the bracket using the two slots provided.

Keyhole Openings allow 4" or 4-11/16" x 2-1/8" boxes to remain attached even when plaster ring is removed

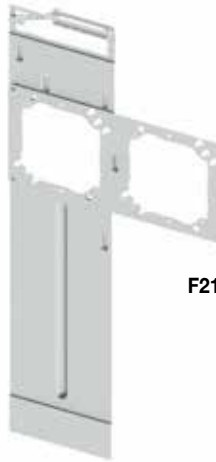
Attachment Holes for 4" rings allow 4-11/16" x 2-1/8" boxes to be mounted independently.

Attachment Holes for 4-11/16" x 2-1/8" boxes allow 4" rings to be mounted independently

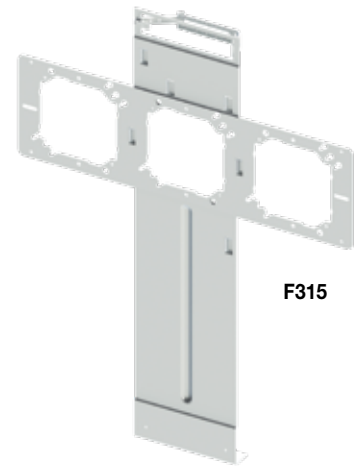
Multiple Box Heights are available from 12" to 24"



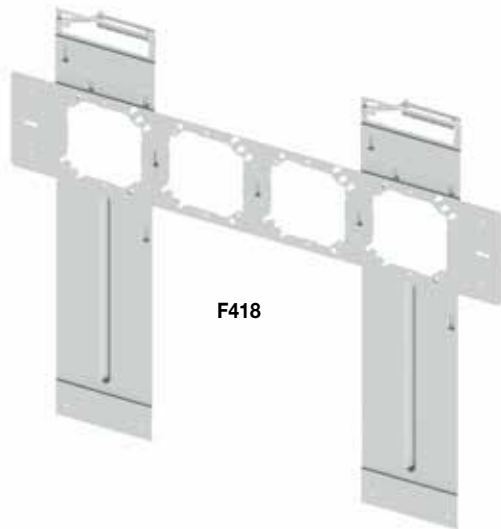
**F118**



**F218**



**F315**



**F418**

FLOOR BRACKETS						
	OPENINGS	CENTER HEIGHT		OVERALL HEIGHT		PG
		IN	MM	IN	MM	
<b>F112</b>	1	12	300	5	125	FP981552
<b>F115</b>	1	15	380	5	125	FP981553
<b>F118</b>	1	18	450	5	125	FP981555
<b>F124</b>	1	24	600	5	125	FP981556
<b>F212</b>	2	12	300	5	125	FP981557
<b>F215</b>	2	15	380	5	125	FP981558
<b>F218</b>	2	18	450	5	125	FP981560
<b>F224</b>	2	24	600	5	125	FP981561
<b>F312</b>	3	12	300	5	125	FP981562
<b>F315</b>	3	15	380	5	125	FP981563
<b>F318</b>	3	18	450	5	125	FP981565
<b>F324</b>	3	24	600	5	125	FP981566
<b>F418</b>	4	18	450	5	125	FP981593

- Built-in wire manager makes securing up to four cables easy.
- Support arms attach to the back of the bracket using the slots provided.
- Cablofil floor brackets are available in one to four gang options.
- Multiple sizes available with box heights from 12" to 24"
- Keyhole openings allow 4", 4-11/16" or 5" x 2-1/8" boxes to remain attached.
- Attachment holes for 4" rings allow 4-11/16" x 2-1/8" boxes to be mounted independently.
- Attachment holes for 4-11/16" x 2-1/8" boxes allow 4" rings to be mounted independently
- Floor Brackets are installed by kicking the lower flange under the wall plate. Holes are provided for attaching to bottom plate.

## Support Arms for Floor & Wall Brackets

### FIXED DEPTH SUPPORT ARMS

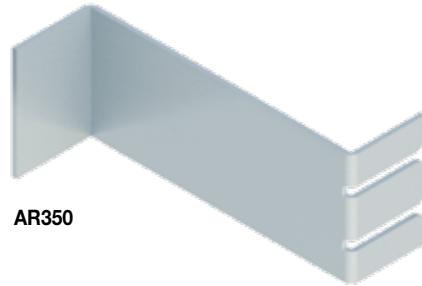
The FAS Power line includes 8 far side support arms for 2½" depth to 6½" walls. Each snap easily onto any of our floor or wall brackets.

**Construction:** 18 gage pre-galvanized steel

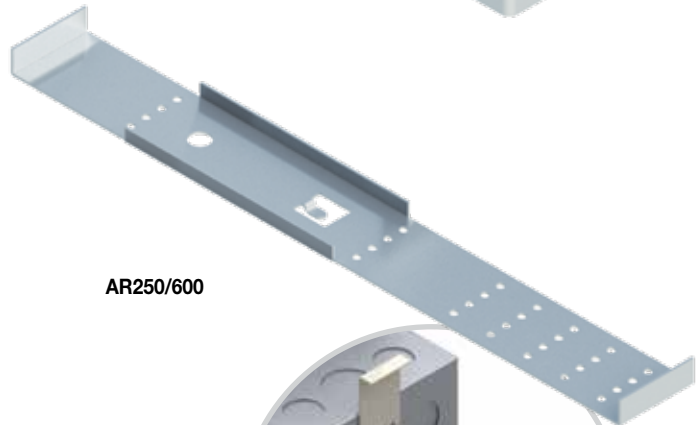
### ADJUSTABLE SUPPORT ARM

The Adjustable Far Side Support Arm is perforated to make it easy to fit any sized wall depth to stabilize FAS Power Floor and Wall brackets. Just use a pliers to adjust. The AR250/600 fits wall depths from 2½" to 6" and reduces engineering time for job sites with varied stud sizes and wall depths. AR250/600 works with 21/8" boxes on ly.

**Construction:** 18 gage pre-galvanized steel



AR350



AR250/600



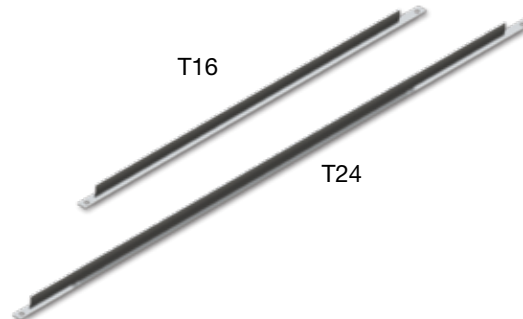
SUPPORT ARMS		
	WALL DEPTH	PG
	INCHES	
AR250	2.5	FP211040
AR300	3	FP211041
AR350	3.5	FP211042
AR400	4	FP211043
AR450	4.5	FP211044
AR500	5	FP211045
AR600	6	FP211048
AR650	6.5	FP211049
AR250/600	2.5-6	FP211055

### WALL BRACES FOR FLOOR BRACKETS

Wall braces stabilize FAS Power floor brackets where support arms are not an option. Available for 16" and 24" stud spacing.

**Construction:** Zinc-plated steel.

WALL BRACES		
	STUD SPACING	PG
	INCHES	
AR250	2.5	FP211040
T16	16	FP211108
T24	24	FP211112



T16

T24

## Ceiling Hangers

Legrand has a complete line of ceiling hangers for acoustic ceiling applications. Many of these products can be installed without additional hardware with spring steel clip that secure conduit with a snap.

### T-GRID BOX HANGERS

These pre-galvanized hangers fit a 24" T-Grid to securely mount boxes and light fixtures in suspended ceilings.

T-GRID BOX HANGERS				
	DESCRIPTION	PKG QTY	PKG WEIGHT	PG
CA12	Std. 24" T-Grid Box Hanger	50	27	F002005
CA12A	Adjustable 24" T-Grid Box Hanger	50	33	F002012



### COMBINATION BOX/CONDUIT HANGERS

Secure boxes and/or conduit to threaded rod with these hangers. Spring steel clips secure conduit to the box to meet all code requirements.

COMBINATION BOX/CONDUIT HANGERS						
	LENGTH	CONDUIT	MOUNT TYPE	PKG. QTY.	WEIGHT	PG
	IN	EMT		PCS	LBS	
CC1618MBH	18	1	1/4" HOLE	25	-	F002082
CC812MBH	18	1/2, 3/4	1/4" HOLE	25	9.0	F002009
CC812MBS	18	1/2, 3/4	1/4" x 5/16" STUD	25	9.5	F002034



**BOX/CONDUIT HANGERS**

BOX/CONDUIT HANGERS						
	LENGTH	EMT	MOUNT TYPE	PKG. QTY.	WEIGHT	PG
	IN	IN		PCS	LBS	
<b>CC812MB24</b>	24	1/2, 3/4	1/8-1/4 BEAM CLIP	25	8.0	F002056
<b>CC6MBW4</b>	18	3/8	1/8-1/4 BEAM CLIP	25	8.6	F002065
<b>CC812MBW4</b>	18	1/2, 3/4	ROD/WIRE CLIP	25	9.0	F002064
<b>CC6MBH</b>	18	3/8	1/4 HOLE	25	8.0	F002061


**BOX HANGERS WITH ROD/WIRE CLIP**

Designed for plenum spaces, spring steel clip attaches directly to threaded rod or wire for supporting boxes and/or conduit.

BOX/CONDUIT HANGER WITH ROD/WIRE CLIP						
	LENGTH	EMT	MOUNT TYPE	PKG. QTY.	WEIGHT	PG
	IN	IN		PCS	LBS	
<b>CC16MBW4</b>	18	1	1/4 ROD, #12 WIRE	25	9.0	F002126
<b>CC812MBW</b>	18	1/2, 3/4	#12 WIRE	25	9.0	F002024
<b>CC812MBW6</b>	18	1/2, 3/4	3/8" ROD	25	9.0	F002087


**OTHER BOX SUPPORT ACCESSORIES**

OTHER BOX SUPPORT ACCESSORIES				
	DESCRIPTION	PKG. QTY.	WEIGHT	PG
		PCS	LBS	
<b>CBXMT</b>	Box Mounting Clip for CA12	100	8.0	F002128
<b>TEK812</b>	1/2" Self-Drilling/Tapping Screw, #8	100	8.6	F002150



## Protective Covers and Plaster Rings

### ADJUSTABLE RINGS

Useful in installation where wall thicknesses are unknown at the time of order or electrical rough in.

**Construction:** Galvanized steel

ADJUSTABLE RINGS			
	BOX SIZE/DEVICE TYPE	FASTENERS INCLUDED	PG
<b>APR-1-5/8</b>	Single Gang	5/8" to 1 1/4"	FP211051
<b>APR-1</b>	Single Gang	3/4" to 1 1/2"	FP211050
<b>APR-2</b>	Two Gang	3/4" to 1 1/2"	FP211052
<b>APR-3</b>	Three Gang	3/4" to 1 1/2"	FP211053
<b>APR-R</b>	3-0 Round	3/4" to 1 1/2"	FP211054



### PLASTIC DEVICE COVERS

Attach to the front of receptacles, switches or can be snapped onto empty mud rings to keep them clean, dust free and finish ready during the taping and painting process. The covers are replaced later with faceplates at the trim out phase of construction.

PLASTIC DEVICE COVERS			
	BOX SIZE/DEVICE TYPE	FASTENERS INCLUDED	PL
<b>DCP-1</b>	Single Gang Receptacle	(2) #8-32 SCREWS	FP003414
<b>DCP-2</b>	Double Gang Receptacle	(2) #8-32 SCREWS	FP003416
<b>DCP-3</b>	Three Gang Receptacle	(2) #8-32 SCREWS	FP003418
<b>DCP-4</b>	Four Gang Receptacle	(2) #8-32 SCREWS	FP003420
<b>DCP-1T</b>	Single Gang Toggle Switch	(2) #8-32 SCREWS	FP003415
<b>DCP-2T</b>	Double Gang Toggle Switch	(2) #8-32 SCREWS	FP003417
<b>DCP-3T</b>	Three Gang Toggle Switch	(2) #8-32 SCREWS	FP003419
<b>DCP-4T</b>	Four Gang Toggle Switch	(2) #8-32 SCREWS	FP003421
<b>DCP-DT</b>	Dbl. Gang Toggle Switch & Device	(2) #8-32 SCREWS	FP003422
<b>DCP-1R</b>	Single Gang Cover Only	NONE	FP231068
<b>DCP-2R</b>	Double Gang Cover Only	NONE	FP231071
<b>DCP-3R</b>	Three Gang Cover Only	NONE	FP231074
<b>DCP-4R</b>	Four Gang Cover Only	NONE	FP231077
<b>DCP-R</b>	3" Round Cover Only	NONE	FP231080



### LOW VOLTAGE MOUNTING PLATES

Eliminates the need for an electrical box for Class 2 low-voltage wiring.

**Construction:** Galvanized steel

LOW VOLTAGE MOUNTING PLATES			
	PKG. QTY.	BOX SIZE/DEVICE TYPE	PG
<b>CBXR</b>	50	Single Gang	F002024
<b>CBX1</b>	100	Single Gang, w/ Screws	F002011



**NOTE: All brand and product names referenced in this document are registered trademarks or trademarks of their respective holders.**

---



**NOTE:** The paper used to print this document is an environmentally responsible paper with 10% post consumer waste, with FSC and SFI Chain of Custody certifications, Lacey Act compliant. 100% of the electricity used to manufacture Flo sheets is generated with Green-e certified renewable energy.



**Legrand, North America**  
60 Woodlawn Street  
West Hartford, CT 06110  
1.877.BY.LEGRAND (295.3472)  
[www.legrand.us](http://www.legrand.us)

**Canada**  
905.738.9195  
[www.legrand.ca](http://www.legrand.ca)

FOLLOW US

