

HIGH BAY OCCUPANCY SENSOR MOUNTING BRACKET EXTENDER MODULE FOR WET LOCATIONS

HBEM3W



MODELS

HBEM3W

SPECIFICATIONS & FEATURES

Extender module for use with HB-3x0W sensors—snaps together to protect sensor and fixture wires

Indoor and outdoor use

Temperature rating: -40°F to 158°F (-40°C to 70°C)

Parts included: 1 chase nipple, 2 nuts, rubber washer, 1 knockout cover

MATERIALS

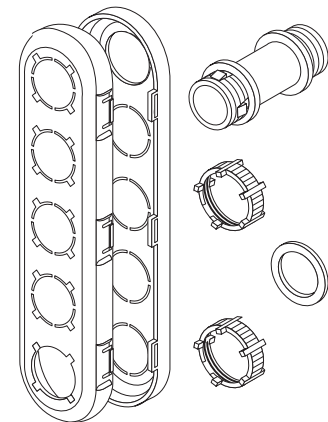
Polycarbonate, flame retardant

UV resistant

Impact resistant

Recyclable

Meets materials restrictions of RoHS

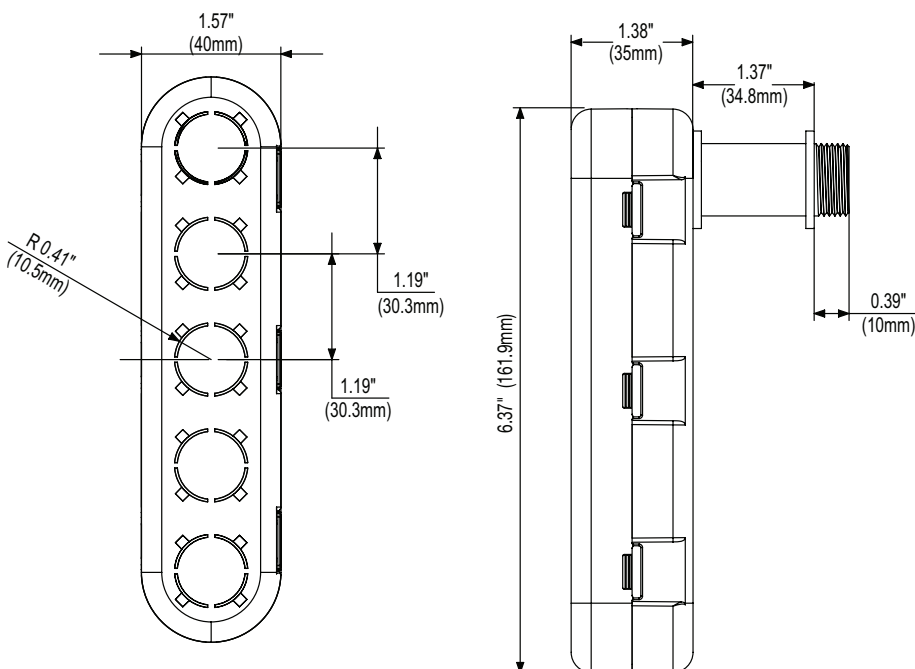


PRODUCT OVERVIEW

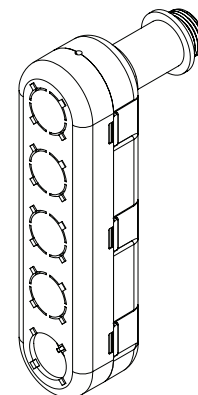
The HBEM3W Extender Module allows the customer to attach an HB3x0W series IP65 rated occupancy sensor to the side of a wet location light fixture.

With the extender module attached, the HB3x0W sensor can be adjusted up or down to ensure the sensor is not blocked by the fixture.

DIMENSIONS

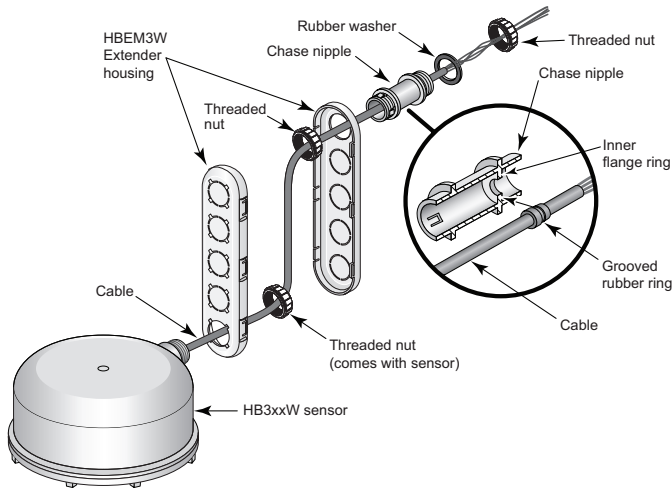


The extender module snaps apart to allow wires to thread through it and into the fixture for connection. It then snaps together to protect wires.

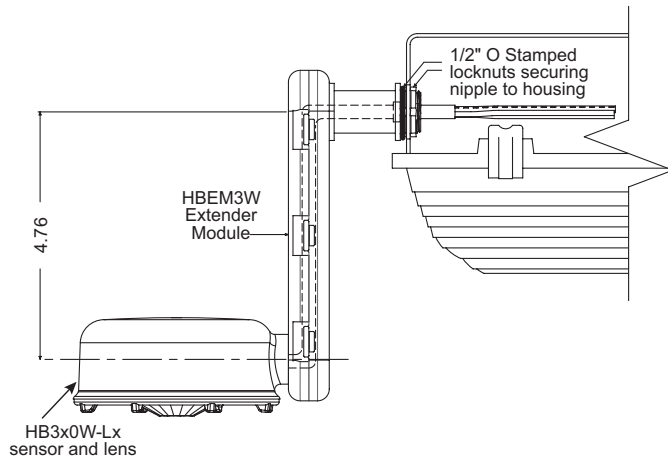


Multiple knockouts simplify repositioning of the sensor so it remains below the fixture edge.

INSTALLING AN HB3X0W SENSOR USING THE HBEM3W



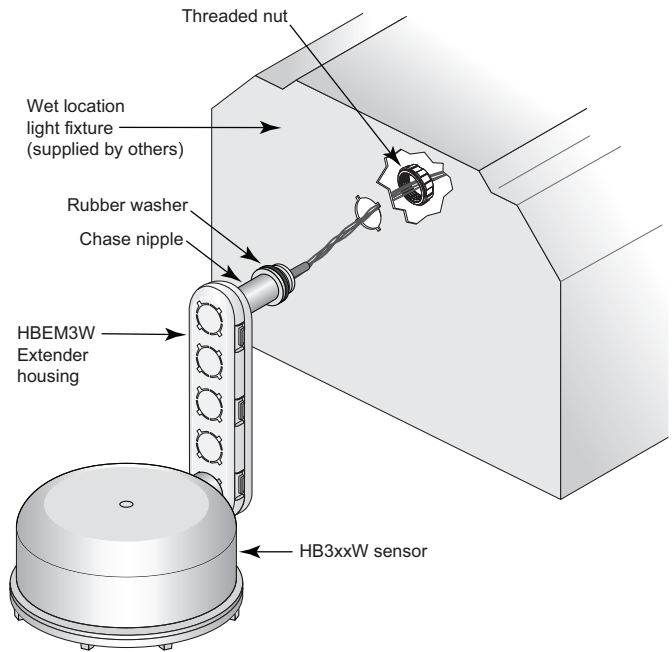
The chase nipple snaps into the extender housing, while the other end fits into a watertight fixture enclosure with a standard knockout. A rubber washer fits between the nipple's outside flange and the outside of the fixture. Use the included nut to secure the nipple and rubber washer against the inside wall of the fixture enclosure.



Snap the extender module apart to thread the wiring cable through it and into the fixture for connection.

Knockouts on the extender housing can be removed in various configurations to reposition the nipple and adjust sensor height. Use the included spare cap to plug an unused knockout hole.

The inner flange rings on the nipple and the HB3x0W housing fit into grooved rubber rings on the cable to keep moisture from entering the fixture and sensor.



ORDERING INFORMATION

Catalog #	Master Pack Details				
	Master Pack Quantity	Case dimensions (inches)			Weight (pounds)
		Length	Width	Height	
HBEM3W	180	21.4	17.9	16.3	45.75

Inner Pack Quantity	Inner Pack Details			
	Case dimensions (inches)			Weight (pounds)
	Length	Width	Height	
90	20.6	17.1	7.6	21.65

Catalog #	Color	Description
<input type="checkbox"/> HBEM3W	White	High Bay Extender Module for wet locations (Bulk Packaged)

Information supplied above is subject to change.
Harmonization code: 8538908080. Country of origin: China.

31641r1 Rev 09/2021