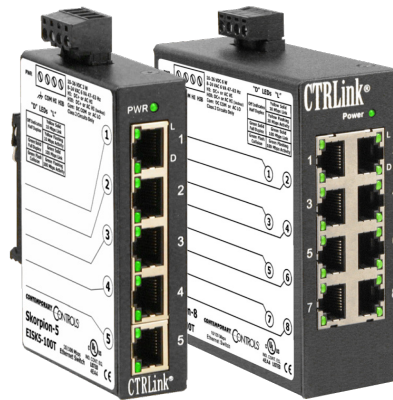


DLM GLOBAL NETWORK SWITCHES

NB-SWITCH

100 Mbps 5-port, 8-port and 16-port Ethernet switches

10BASE-T/100BASE-TX/
100BASE-T operation



Auto negotiation of speed and duplex

Compatible with DLM Network Controllers or third party BACnet building automation systems



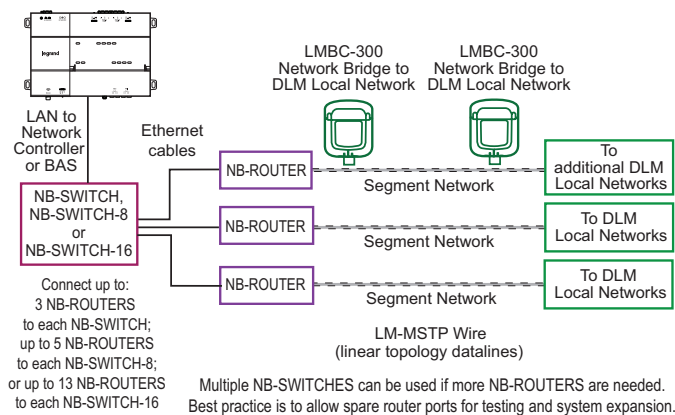
DESCRIPTION

The NB-SWITCHES are enterprise-grade Ethernet switches that work with up to four or seven NB-ROUTERS to provide high speed connectivity for Digital Lighting Management (DLM) networked systems. The compact switch has a rugged metal enclosure and integral DIN rail clip.

OPERATION

NB-SWITCHES require no configuration. All ports automatically configure their data rates and duplex using the Auto-Negotiation protocol. Each port will accommodate a straight-through or crossover cable through the use of the AUTO-MDIX protocol.

NETWORK WIRING



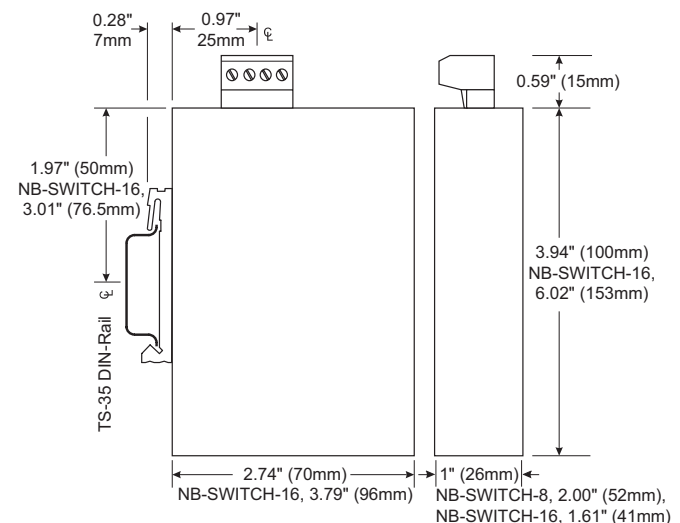
APPLICATIONS

An NB-SWITCH is the ideal choice for DLM network applications with multiple segment networks and either a Segment Manager or connected BAS.

SPECIFICATIONS

- VAC/VDC from 120 VAC cord-end power supply (included)
- Quick disconnect 4-pin power connector
- Power LED
- Link/Rate/Duplex LEDs for each port
- Shielded RJ45 ports
- DIN-rail mounting clip
- Weight: NB-SWITCH 1 pound; NB-SWITCH-8 1.5 pounds; NB-SWITCH-16 2 pounds.
- UL and cUL listed
- Five year warranty

DIMENSIONS



ORDERING INFORMATION

| Catalog # | Description |
|----------------|--|
| □ NB-SWITCH | DLM Global Network 5-Port Ethernet Switch |
| □ NB-SWITCH-8 | DLM Global Network 8-Port Ethernet Switch |
| □ NB-SWITCH-16 | DLM Global Network 16-Port Ethernet Switch |

NB-SWITCH models are compliant with the Buy American Act and Build America, Buy America Act

27567r2 Rev 10/26

| | |
|---------|-------------------|
| PROJECT | LOCATION/ TYPE |
|---------|-------------------|