



ORTRONICS® 125 EUGENE O'NEILL DRIVE
NEW LONDON, CT 06320
TEL: 860-445-3800
FAX: 860-405-2990

TITLE: CLARITY PANEL JACK 568A/B, PJ5E & PJ6 SERIES

INSTRUCTION SHEET #: 71601503

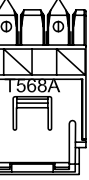
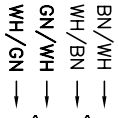
REVISION: 02

DATE: 02/22/08

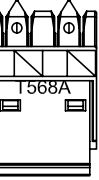
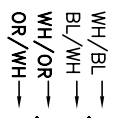
SIDE 1 of 2

CAUTION: TERMINATE PANEL JACKS PER SPECIFIED WIRING SYSTEM 'T568A' or 'T568B'.

T568A WIRING LABEL ON TOP & BOTTOM OF THE JACK
8P8C

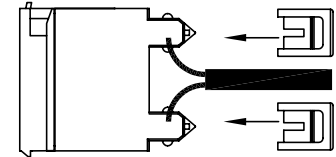
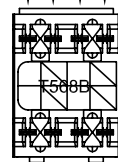


TOP



BOTTOM

T568B
8P8C
ON REAR OF JACK

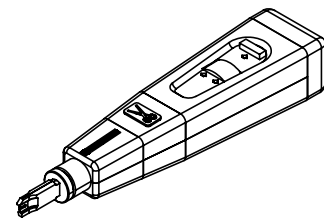


NOTE: When terminating cables to Jacks, lace wires from the center to the outside of the module. Install stuffer caps after terminating cable.

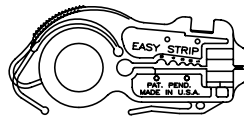
'This device is intended for indoor use on communication loop circuit which have been isolated from the Public Switched Telephone Network'.

WIRING CHART

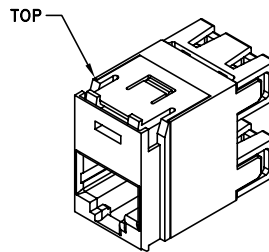
COLOR CODE LABEL	RJ45 8P8C T568A WIRING	RJ45 8P8C T568B WIRING
WHITE/BLUE	5	5
BLUE/WHITE	4	4
WHITE/ORANGE	3	1
ORANGE/WHITE	6	2
WHITE/GREEN	1	3
GREEN/WHITE	2	6
WHITE/BROWN	7	7
BROWN/WHITE	8	8



REQUIRED TERMINATION TOOL
OR-60300005 (TOOL & BLADE)
OR-60300006 (BLADE ONLY)



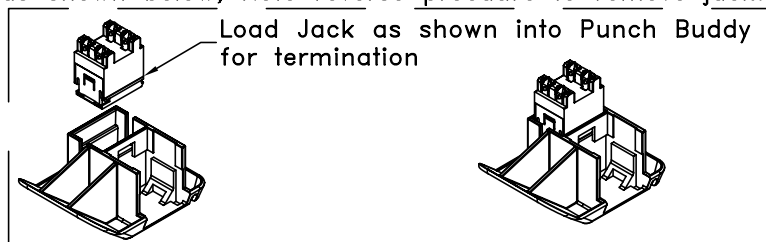
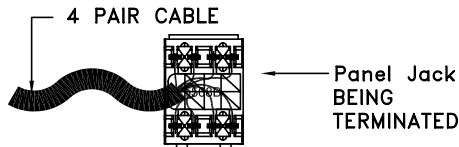
RECOMMENDED STRIPPING TOOL
OR-60300032 (TOOL)



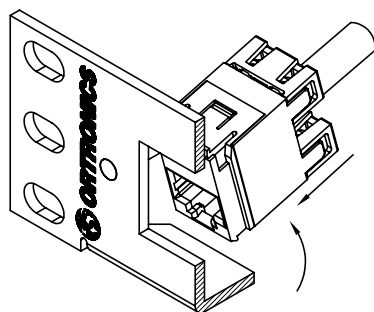
PANEL JACK ASSEMBLY

Panel Jack Module Termination and Installation

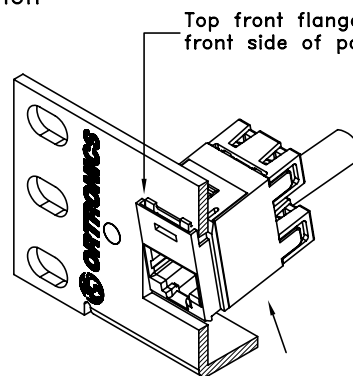
- STEP 1: Strip 2" of cable jacket off station cables. Place Jack in Punch Buddy as shown below.
- STEP 2: Lace color coded wire pairs into 110 termination.
- STEP 3: Place Punch buddy on solid flat surface. Using a single wire 110 tool terminate all 4 pairs. (see diagram below)
- STEP 4: Install Jack module into panel as shown below, Note reverse procedure to remove jack.



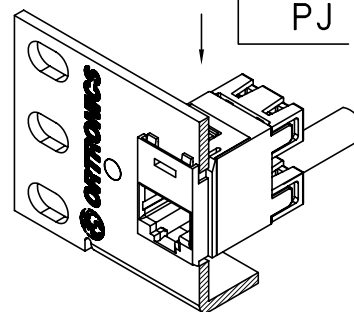
Panel Jack Module Installation



Pivot jack and slide into opening



While pushing upward in panel rotate bottom through opening



Once its installed push downward to secure jack into panel with bottom flange on front side of panel.

Approved panels for PJ series jacks

- Catalog #
- PHDPJU24
- PHDPJU48
- PHDPJU72
- PHAPJU24
- PHAPJU48
- PHAPJU72