

NOTES: UNLESS OTHERWISE SPECIFIED

1. THE MODULE ASSEMBLY PART NUMBER CONSISTS OF 7 ELEMENTS, AS FOLLOWS:
(CONFIGURE MODULE PART NUMBER USING THE TABLES BELOW)
 - BASE NUMBER: (HDFM)
 - PROFILE ("A"), USE TABLE 1,
 - ADAPTER TYPE ("BB"), USE TABLE 2,
 - FIBERS PER MODULE ("C"), USE TABLE 3,
 - SLEEVE MATERIAL ("D"), USE TABLE 4
 - ADAPTER COLOR ("E"), USE TABLE 5,
 - HOUSING COLOR ("XX"), SEE NOTE 2.
2. THE "-XX" AT THE END OF THE PART NUMBER SHALL INDICATE THE COLOR OF THE MODULE HOUSING. COLOR SHALL BE IN ACCORDANCE WITH LEGRAND SPECIFICATION #71601388.
3. DUSTCAPS OR PLUGS SHALL BE PROVIDED INSTALLED, BOTH SIDES; EXCEPT FOR SHUTTERED ADAPTERS. FOR SHUTTERED ADAPTERS, DUST PLUGS SHALL BE PROVIDED INSTALLED ONLY ON THE NON-SHUTTERED SIDE.
4. DIMENSIONS ARE IN INCHES.

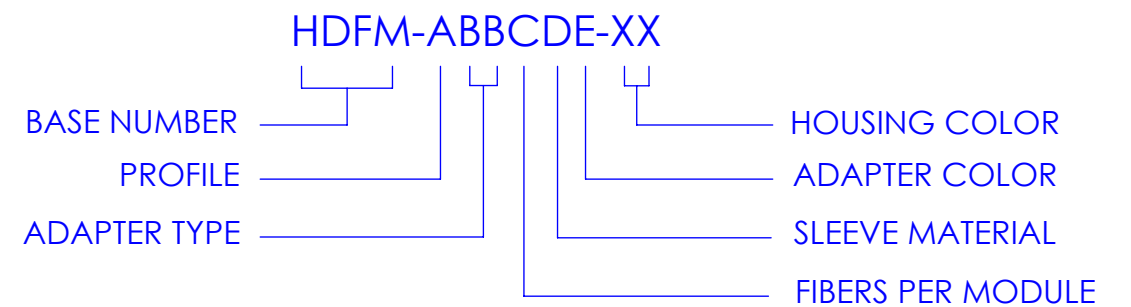
"A"	PROFILE
F	FLUSH

"D"	SLEEVE MATERIAL
C	CERAMIC
N	NONE

"BB"	ADAPTER TYPE	SEE FIGURE
LC	LC (DUPLEX)	1
SC	SC (SIMPLEX)	2
MT	MPO	3
MD	MDC	4

"E"	ADAPTER COLOR
A	BLUE
B	ORANGE
C	GREEN
D	BROWN
E	SLATE
F	WHITE
G	RED
H	BLACK
I	YELLOW
J	VIOLET
K	ROSE
L	AQUA
M	BEIGE
N	ERIKA VIOLET
Q	LIME

"C"	FIBERS PER MODULE
1	1 FIBER
2	2 FIBERS
4	4 FIBER
Z	12 FIBERS



PART NUMBER LEGEND

SEE NOTE 1

*** NOTICE ***
THIS DOCUMENT CONTAINS CONFIDENTIAL AND/OR PROPRIETARY INFORMATION INTENDED FOR USE ONLY BY THE INDIVIDUAL(S) PROVIDED. NEITHER THIS DOCUMENT, NOR ANY INFORMATION CONTAINED HEREIN, MAY BE COPIED, DISTRIBUTED, DISCLOSED TO ANY THIRD PARTY OR USED IN ANY MANNER OTHER THAN FOR WHICH IT HAS BEEN PROVIDED, WITHOUT THE PRIOR WRITTEN CONSENT OF LEGRAND, INC. MANUFACTURING RELEASE, PRODUCT SPECIFICATIONS AND STANDARDS ARE SUBJECT TO CHANGE WITHOUT NOTICE.



TITLE
MODULE ASSY, HIGH DENSITY, FIBER

	NAME	DATE	SIZE	CAD FILE	DWG NO	REV
DWN	RYNASKI	01/06/2012	B	HDFMABBCDEXXC	HDFM-ABBCDE-XX	09
CHK	R.MONTGELAS	01/17/2012	SCALE 1:1		SHEET 1 OF 2	
APPR	A. MURANO	01/17/2012				

4

3

2

1

D

D

C

C

B

B

A

A

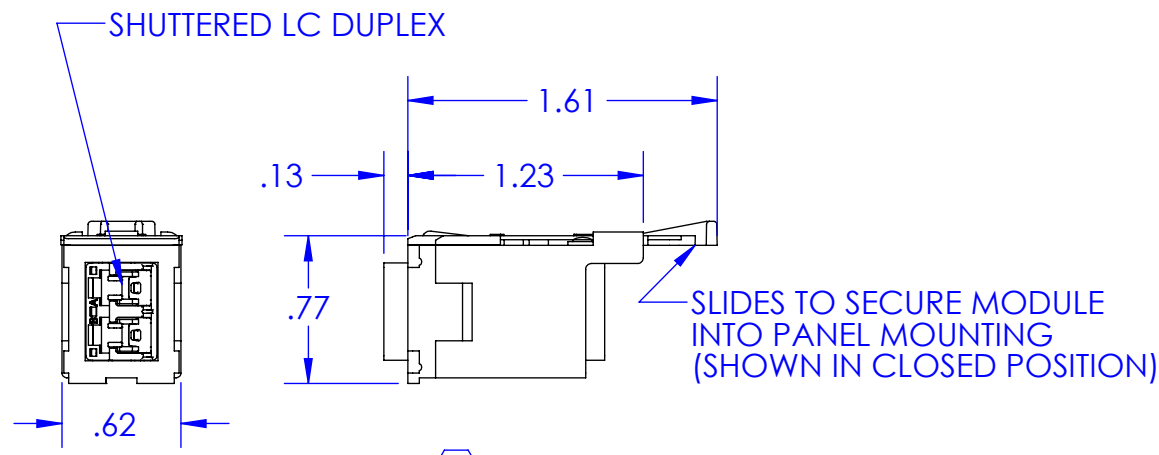



FIGURE 1 
 ADAPTER: LC DUPLEX
 "HDFM-FLC2CA-XX" SHOWN
 (DUST CAPS NOT SHOWN)

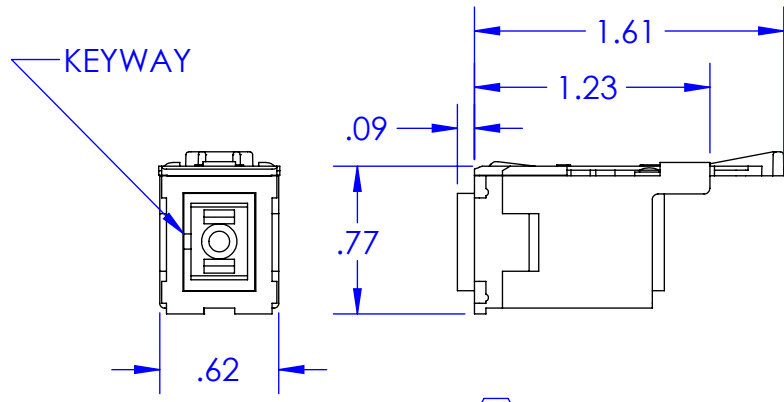



FIGURE 2 
 ADAPTER: SC SIMPLEX
 "HDFM-FSC1CA-XX" SHOWN
 (DUST CAPS NOT SHOWN)

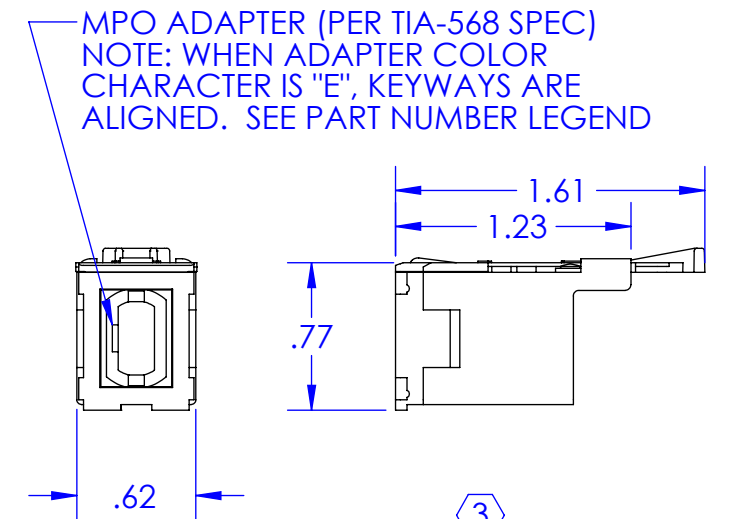



FIGURE 3 
 ADAPTER: MPO
 "HDFM-FMTZNA-XX" SHOWN
 (DUST PLUGS NOT SHOWN)

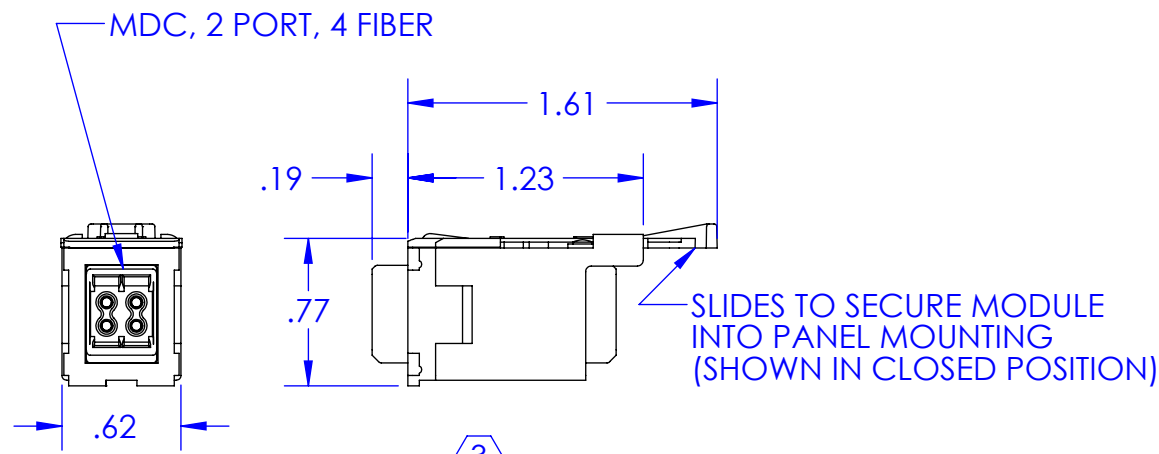



FIGURE 4 
 ADAPTER: MDC 2 PORT
 "HDFM-FMD4CA-XX" SHOWN
 (DUST CAPS NOT SHOWN)

		WWW.LEGRAND.US	
TITLE MODULE ASSY, HIGH DENSITY, FIBER			
SIZE B	CAD FILE HDFMABBCDEXXC	DWG NO HDFM-ABBCDE-XX	REV 09
SCALE 1:1	SHEET 2 OF 2		

4

3

2

1