



Wattstopper®

Lighting Control Panel
Quick Start Guide

No:24279 – 03/21 rev. 1

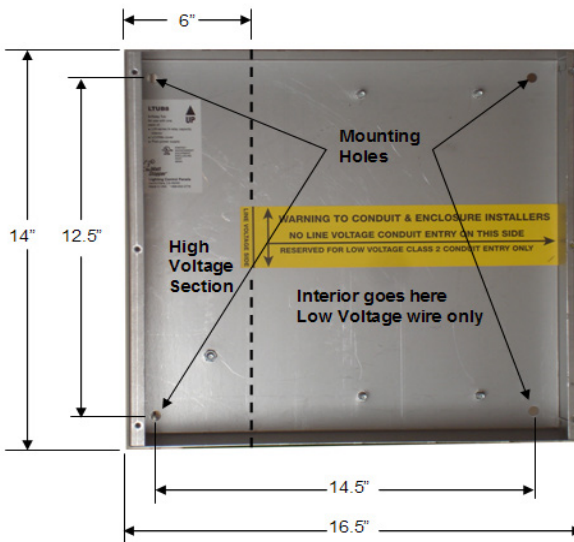
Catalog Number: LP8

Country of Origin: Made in United States

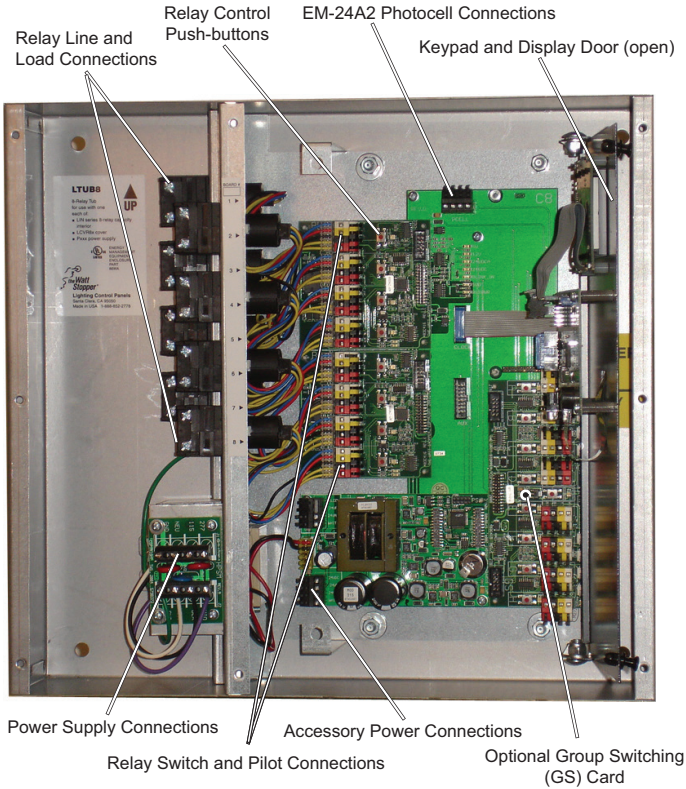
BAA/TAA Compliant

INSTALLATION

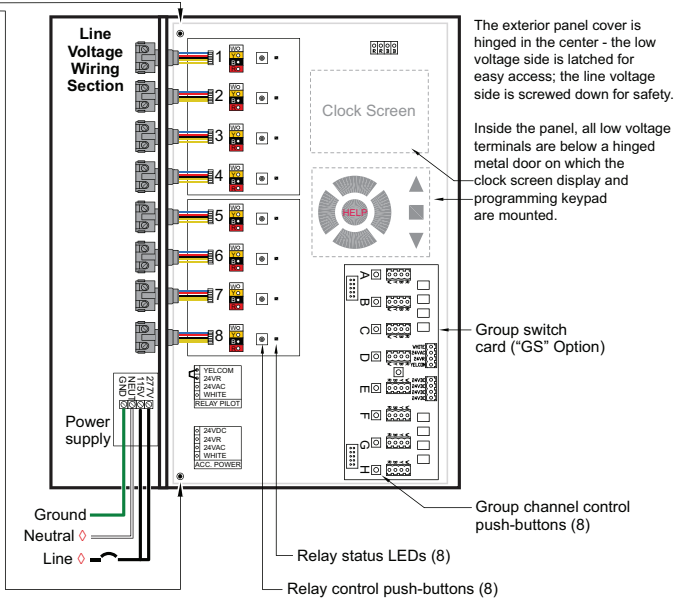
1. Loosen the enclosure's front cover screws (about 1/4"). Do not remove the screws. Lift the cover and pull it toward you to remove it from the enclosure.
2. Remove the panel interior and set it aside.
3. Mount the panel enclosure to the wall using appropriate hardware (not provided).
4. Note the entry areas for low and line voltage in the picture. Install conduit into the designated areas of the enclosure.
5. Reinstall the panel interior using the original hardware.
6. Connect the power supply (lower left corner) to the line voltage power source. Note the allowable voltages printed on the unit.
7. Note the entry areas for low and line voltage in the picture below. Install conduit into the designated areas of the enclosure.
8. Reinstall the panel interior using the original hardware.
9. Connect the power supply (lower left corner) to the line voltage power source. Note the allowable voltages printed on the unit.



PANEL INTERIOR COMPONENTS AND CONNECTIONS



Interior door latches
(Two black plastic self-retained pop-fasteners)
Pull to release.
Press to latch.



◇ Observe correct voltage as marked on power supply.

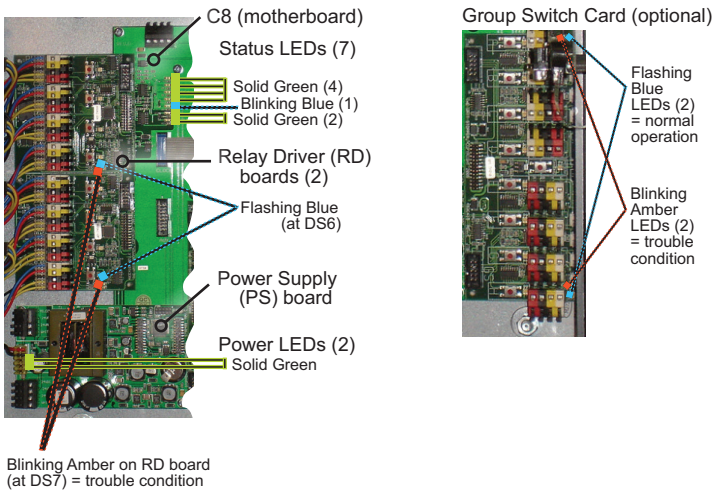
GENERAL INSTALLATION INFORMATION



WARNING: TURN THE POWER OFF AT THE CIRCUIT BREAKER BEFORE WIRING.



- All power must be turned off prior to wiring, installation or service.
- More than one disconnect may be required to de-energize power to the LP8.
- External circuit protection to the LP8 is required (for example, circuit breaker).
- Installation shall be in accordance with all applicable regulations, wiring practices, and codes.
- Care should be taken to separate high voltage power from low voltage (Class 2) control wiring.
- Do not energize wiring until the unit is fully assembled and connected circuits have been tested and found to be free of electrical shorts.



POWER UP AND TEST

1. Power up the panel.
2. Complete the tests in the table.
3. Upon completing and passing all tests, power down the panel.
4. Install, connect, and test low voltage devices, contactors and loads to the panel per the instructions referenced in the Resources section below.
5. Program the clock per your application requirements and record relay schedules and scenario information on the Programming Record Sheet.



WARNING: IMPROPER INSTALLATION OR CONNECTION OF THE LP8 MAY RESULT IN SERIOUS PERSONAL INJURY AND/OR DAMAGE TO THE LP8 AND OTHER DEVICES..

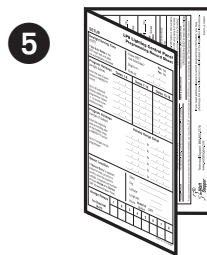
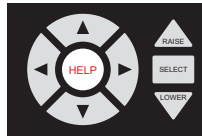
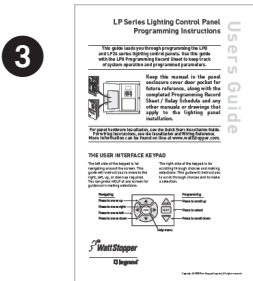
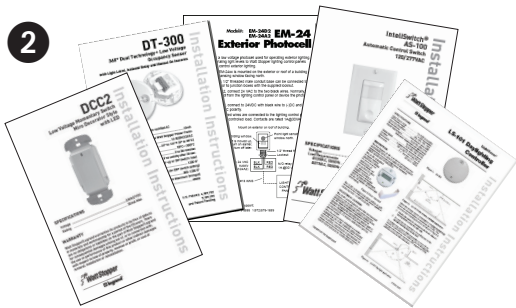


	Test	Response	Result	What next? If the panel continues to fail a test, call Technical Support.
1	Observe the Blue Status LED on the C8 board	Blue LED blinks at a regular tempo.	Pass	Go to next Test.
		Blue LED off or continuously lit.	Fail	Reset panel power. Check LED again.
2	Observe Blue LED (at DS6) on RD boards (and on GS card if installed)	Blue LED flashes at regular intervals on both boards.	Pass	Go to next Test.
		Blue LED off or continuously lit.	Fail	Reset panel power. Check LED again.
3	Observe the Green Status LEDs on the C8 board	All 6 Green Status LEDs are continuously lit.	Pass	Go to next Test.
		Any Green Status LED is off.	Fail	Reset panel power. Check LEDs again.
4	Observe the two green Power LEDs at DS1 & DS2 on the PS board	Both green Power LEDs are continuously lit.	Pass	Go to next Test.
		Either Green Power LED is off.	Fail	Turn off power to panel and check red and black wire connections to the J2 terminal block on the PS board. Reset panel power. Check LEDs again.
5	Look for any lit Amber LEDs on the RD (and GS if installed).	No Amber LEDs observed.	Pass	Go to next Test.
		An Amber LED is lit or blinking.	Fail	Reset panel power. Check for Amber LEDs again.
6	Relay Operation: Press each Relay control push-button	Red LED for each relay lights and relay clicks. Press button again, relay clicks and Red LED goes off.	Pass	Ok to wire low voltage devices to relay card terminals. See Resources list for wiring and accessory installation instructions.
		Red LED doesn't light and/or relay doesn't click.	Fail	Make sure a jumper is installed on PS board between YELCOM and 24VR terminals.

RESOURCES

The following instructional tools are available:

1. Wiring loads and accessories: LP Series Installation & Wiring Reference (included with the panel): Detailed LP8 wiring instructions for relays/contactors and loads, as well as low voltage controls wiring and Group Switch card smartwiring procedures.
2. Low voltage control device installation instructions: Provided in the box with optional products.
3. LP8 Programming: LP Series User Guide (included with the panel).
4. Instructions for individual clock screens: Press the HELP button on the panel's clock keypad.
5. Keeping records of circuit and relay schedules and programming selections: LP8 Programming Record Sheet (included with the panel).
6. Technical support: Visit our website – see the downloads page for new materials, FAQ area, or call 800.879.8585.



WARRANTY INFORMATION

Wattstopper warrants its products to be free of defects in materials and workmanship for a period of five (5) years. There are no obligations or liabilities on the part of Wattstopper for consequential damages arising out of, or in connection with, the use or performance of this product or other indirect damages with respect to loss of property, revenue or profit, or cost of removal, installation or reinstallation.

No. 24279 – 03/21 rev. 1

© Copyright 2021 Legrand All Rights Reserved.
© Copyright 2021 Tous droits réservés Legrand.
© Copyright 2021 Legrand Todos los derechos reservados.



800.879.8585
www.legrand.us/wattstopper