

Mighty Mo (MM20) PDU Mounting Brackets

DESCRIPTION

Mighty Mo PDU Mounting Brackets are designed to mount one or two button mount PDUs to the Mighty Mo 20 Rack Systems. Brackets are available in styles that mount directly to Mighty Mo racks, or are compatible with VMD or VMS style vertical managers or rear channels of the Mighty Mo 20 open racks. Rack rail, offset, flat and vertical manager style bracket options provide multiple mounting options.

FEATURES AND BENEFITS

- **Multiple Mounting Options:** Rack rail, offset, vertical manager, left or right-side mount.
- **Cable Management:** Several brackets accept ¼ turn accessories and are compatible with cable spools, and 3-inch or 6-inch cable rings to manage a PDU.
- **Direction Mounting:** Offset mounts enable parallel or perpendicular mounting.
- **Single or Double Wide PDU Brackets:** Mount one or two PDUs.
- **Color Matched:** Available in black or white to match the Mighty Mo 20 rack.

ORDERING INFORMATION

	1 Wide		2 Wide	
	Black	White	Black	White
Rack Mount				
Rack Rail	MM20PDUMBRC1W-B	MM20PDUMBRC1W-W	-	-
Flat	*MM20PDUMBFT1W-B	*MM20PDUMBFT1W-W	*MM20PDUMBFT2W-B	*MM20PDUMBFT2W-W
1 Deep	*MM20PDUMB1D1W-B	*MM20PDUMB1D1W-W	*MM20PDUMB1D2W-B	*MM20PDUMB1D2W-W
2 Deep	MM20PDUMB2D1W-B	MM20PDUMB2D1W-W	*MM20PDUMB2D2W-B	*MM20PDUMB2D2W-W
Cage Mount				
Part Number	MM20PDUMBVM1W-B	MM20PDUMBVM1W-W	MM20PDUMBVM2W-B	MM20PDUMBVM2W-W
Optional Cable Management Rings (Sold Separately)				
MM20CMR3	Mighty Mo 20 Cable Management Ring 1.72 in wide x 3 in deep - 14 pack			
MM20CMR6	Mighty Mo 20 Cable Management Ring 1.72 in wide x 6 in deep - 14 pack			

*Compatible with optional ¼ turn accessories and cable management rings

BRACKET FITMENT CHART

Part Number	Max # PDUs Installable	Cable Ring	1/2 Spool
MM20PDUMBVM1W-x	1		
MM20PDUMBVM2W-x	2		
MM20PDUMBRC1W-x	1		
MM20PDUMBFT1W-x	1	•	•
MM20PDUMB1D1W-x	1	•	•
MM20PDUMB2D1W-x	2	•	•
MM20PDUMBFT2W-x	2	•	
MM20PDUMB1D2W-x	2	•	
MM20PDUMB2D2W-x	2	•	

CAGE MOUNT COMPATIBILITY

Cage Width		MM20PDUMBVM1W-x	MM20PDUMBVM2W-x
VMD	6 in	•	
	10 in	•	•
	12 in	•	•
	16 in	•	•
VMS	4 in		
	6 in	•	
	10 in	•	•

TECHNICAL SPECIFICATIONS

General Information	
Color	Black, White
Country of Origin	United States
Type	PDU Rack Mounted Bracket PDU Cage Mounted Bracke
Warranty	5 Years

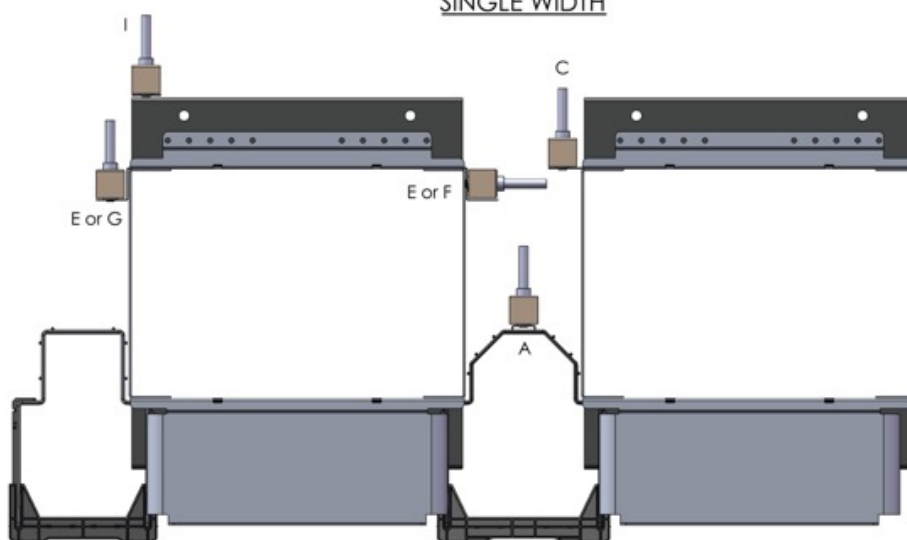
Technical Information	
Material	Cold Rolled Steel
Material Thickness	14 Gauge
Finish	Powder Coat
Includes	Brackets, Mounting Hardware

Dimensions							
All Dimensions in Inches	1 Wide				2 Wide		
	Rack Rail	Flat	1 Deep	2 Deep	Flat	1 Deep	2 Deep
Product Width	2.20	4.26	4.21	4.00	6.56	6.41	6.41
Product Height	7.50	5.75	5.75	3.48	5.75	5.75	5.75
Product Depth	0.33		2.36	4.63		2.36	4.66

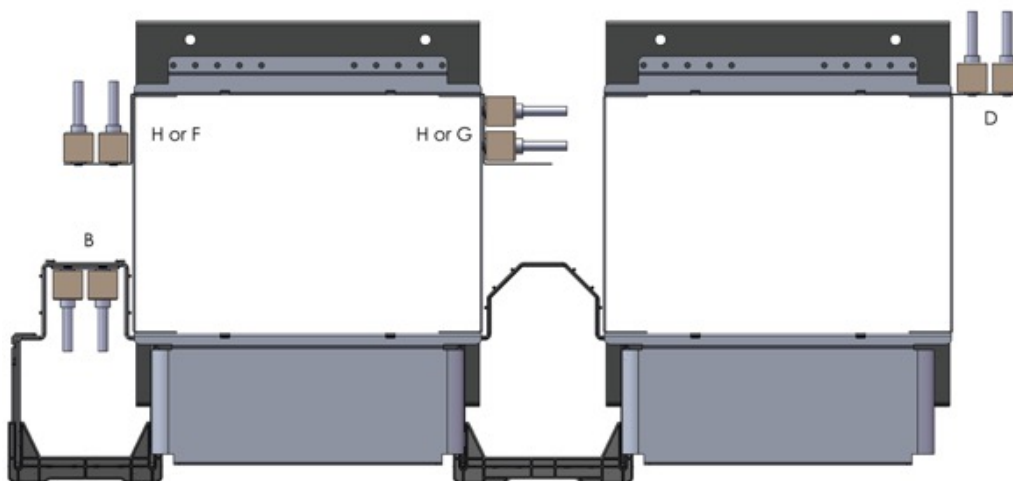
TECHNICAL SPECIFICATIONS

Part Number	Max # PDUs Installable	Location
MM20PDUMBVM1W-x	Cage Mount, 1 Wide	A
MM20PDUMBVM2W-x	Cage Mount, 2 Wide	B
MM20PDUMBFT1W-x	Rack Mount, Flat, 1 Wide	C
MM20PDUMBFT2W-x	Rack Mount, Flat, 1 Wide	D
MM20PDUMB1D1W-x	Rack Mount, 1 Deep, 1 Wide	E
MM20PDUMB1D2W-x	Rack Mount, 1 Deep, 2 Wide	F
MM20PDUMB2D1W-x	Rack Mount, 2 Deep, 1 Wide	G
MM20PDUMB2D2W-x	Rack Mount, 2 Deep, 2 Wide	H
MM20PDUMBRC1W-x	Rack Rail, 1 Wide	I

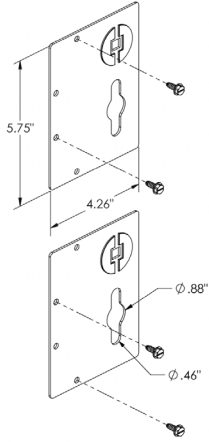
SINGLE WIDTH



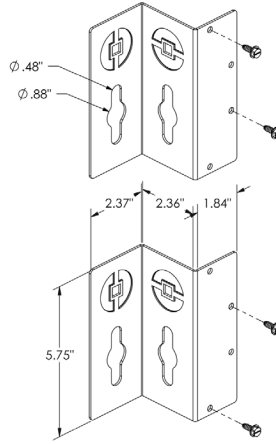
DOUBLE WIDTH



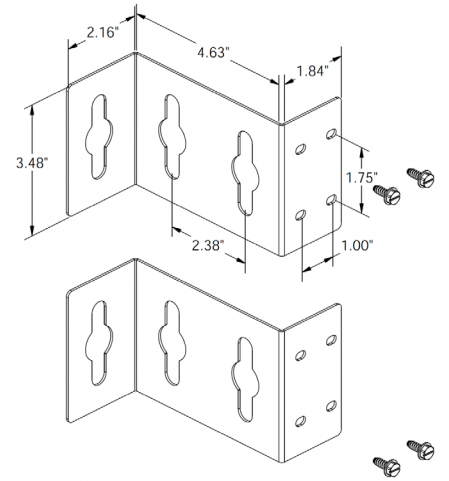
OFFSET - 1 WIDE



MM20PDUMBFT1W-X

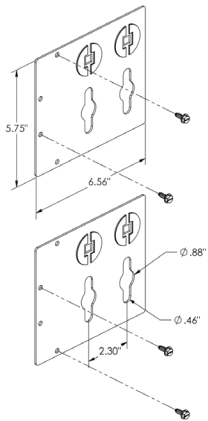


MM20PDUMB1D1W-X

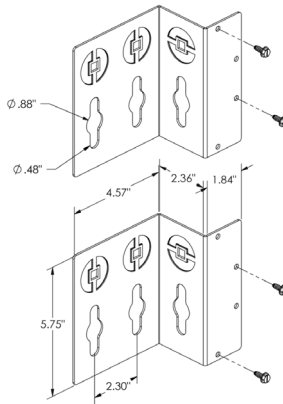


MM20PDUMB2D1W-X

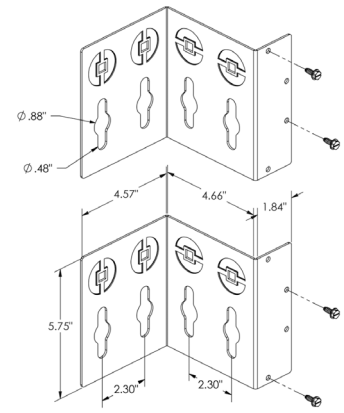
OFFSET - 2 WIDE



MM20PDUMBFT2W-X

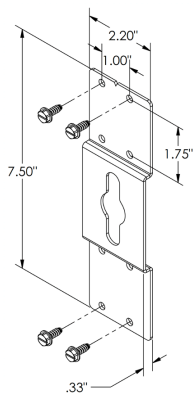


MM20PDUMB1D2W-X



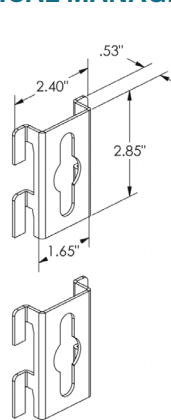
MM20PDUMB2D2W-X

RACK RAIL - 1 WIDE

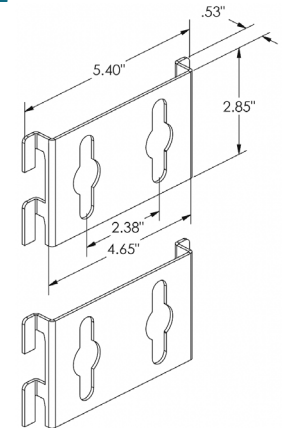


MM20PDUMBRC1W-X

VERTICAL MANAGER - 1 WIDE & 2 WIDE



MM20PDUMBVM1W-X



MM20PDUMBVM2W-X