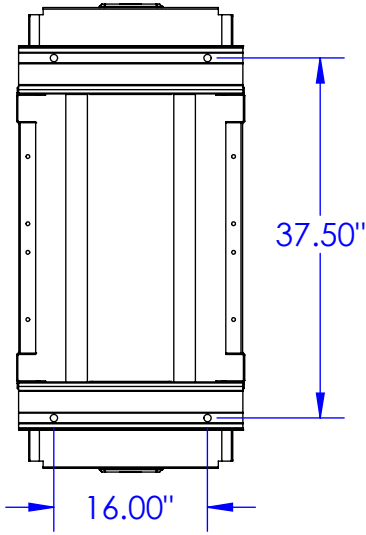
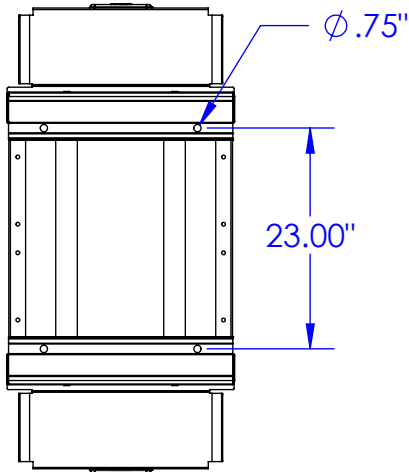


MOUNTING HOLE LOCATIONS

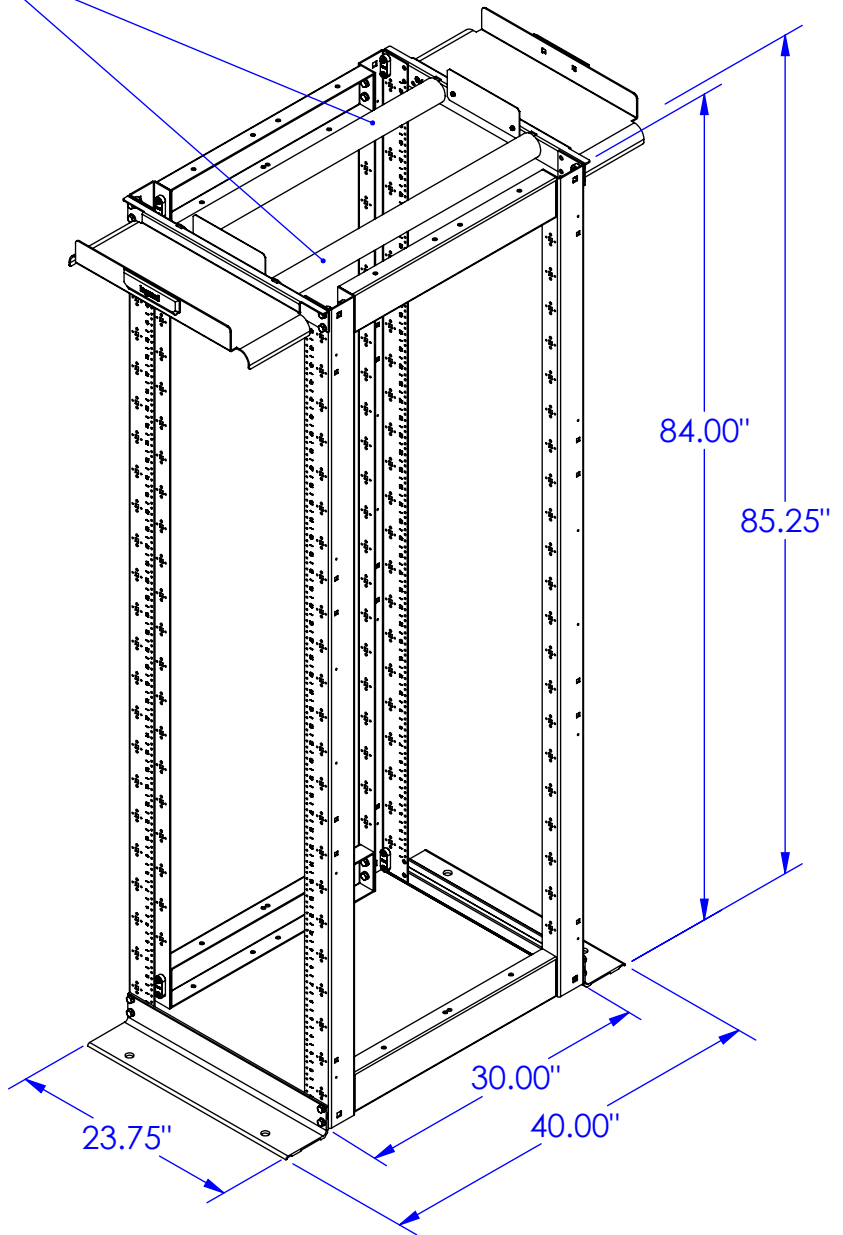
BASE ANGLES FACING OUTWARD



BASE ANGLES FACING INWARD



BEND LIMITER KITS (MM20BLK'S) SOLD SEPARATELY



TESTED TO UL2416 WITH A WEIGHT LOAD OF 2000LBS.

PART NUMBER DESIGNATIONS

PART NUMBER	"X" DENOTES FINISH
MM20730FXD12-B	BLACK
MM20730FXD12-W	WHITE

*** NOTICE ***
 THIS DOCUMENT CONTAINS CONFIDENTIAL AND/OR PROPRIETARY INFORMATION INTENDED FOR USE ONLY BY THE INDIVIDUAL(S) PROVIDED. NEITHER THIS DOCUMENT, NOR ANY INFORMATION CONTAINED HEREIN, MAY BE COPIED, DISTRIBUTED, DISCLOSED TO ANY THIRD PARTY OR USED IN ANY MANNER OTHER THAN FOR WHICH IT HAS BEEN PROVIDED, WITHOUT THE PRIOR WRITTEN CONSENT OF ORTRONICS, INC. MANUFACTURING RELEASE, PRODUCT SPECIFICATIONS AND STANDARDS ARE SUBJECT TO CHANGE WITHOUT NOTICE.



WWW.LEGRAND.US

TITLE

MM20, 4-POST 30" FIXED RACK, 7FT, 12-24 TAPPED

	NAME	DATE	SIZE	CAD FILE	DWG NO	REV
DWN	CV	4/24/2014	A	MM20730FXD12XC	MM20730FXD12-X	08
CHK	CAC	4/23/2014	SCALE	1:24	SHEET	1 OF 1
APPR	CV	6/16/2021				